

Mass Electrical Apparatus

Manufacturers of Quality Electrical Enclosures

TABLE OF CONTENTS

	Page:		Page:
Access Doors	9	Two Door Floor Mtd. on 12" Legs – Stainless	47
Aluminum (NEMA 4X)	48	NEMA Type 4X Troughs – Stainless	26
Bussed Current Transformer Cabinets	7	NEMA Type 12 Cabinets	
Current Transformer Cabinets	7	Free Standing	35-36
Dividers (Cabinet & Wireway)	50	Free Standing – Stainless	39-40
Flush Covers (for Screw Cover Boxes)	3	JIC Type	19-20
Hinge Cover Boxes	6	Single Door Wall Mounted	32-33
Hinged Cover Wireway	4-5	Two Door Floor Mtg. On 12" Legs	37-38
JIC Oil Tight Cabinets		Two Door Floor Mtg. On 12" Legs – Stainless ...	41-42
Continuous hinge & Lift-off Type	19	Two Door Wall Mounted	34
Screw Cover Type	20	Two Door Wall Mounted – Stainless	43
JIC (NEMA Type 4 Cabinets)	24	Push-button Cabinets	
JIC (NEMA Type 4X Cabinets)	25	Hinged Cover – Extra Deep – Steel	15
JIC Oil Tight Trough – Lift-off Type	22	Screw Cover – Steel	16
JIC Oil Tight Trough – Hinged Type	23	Screw Cover – Stainless	17
Large Oil Tight JIC Cabinets	21	Rain-proof Cabinets and Trough	18
NEMA Type 1 Cabinets (Small)	12	Replacement Covers for Screw Cover Boxes	3
NEMA Type 1 Cabinets (Standard)	13	Replacement Covers for Wireway	5
NEMA Type 1 Cabinets (Extra Large)	14	Replacement Panels – JIC	9
NEMA Type 3R Cabinets & Trough	18	Replacement Panels – NEMA	51
NEMA Type 4 Cabinets		Screw Cover Boxes – Made to Order	2
JIC Type	24	Screw Cover Boxes – Stainless – NEMA Type 4X ...	49
Single Door Wall Mounted	29-30	Screw Cover Boxes – Stock Sizes	1
Two Door Wall Mounted	31	Screw Cover Boxes – Weatherproof	10
Two Door Floor Mounted on 12" Legs	28	Screw Cover Wireway	4-5
Single Door Free Standing	27	Stainless Steel NEMA Type 4X – Type 12	39-48
NEMA Type 4X Cabinets		Telephone Cabinets	8
JIC Type – Stainless	25	Traffic Control Enclosures	52-53
Screw Cover Type – Stainless	49	Weatherproof Hinged Cover Cabinets	11
Single Door Wall Mounted – Aluminum	48	Weatherproof Screw Cover Boxes	10
Single Door Wall Mounted – Stainless	44	Weatherproof Trough	10
Single Door Free Standing – Stainless	46	Wireway and Cabinet Dividers	50
Two Door Wall Mounted – Stainless	45	Wireway – Screw and Hinged Cover	4-5
		Wireway Replacement Covers	5

Design data and images offered in this catalog are intended only to provide a general description of our products. Design details are subject to change. Please consult with our factory representatives if specific details are required. We reserve the right to add or remove individual products at any time. We are not responsible for pricing or printing errors in this publication.

Mass Electrical Apparatus

Manufacturers of Quality Electrical Enclosures

Our Commitment to Service

Mass Electrical Apparatus is committed to service. For that reason, all items in this catalog are readily available. Most items are in stock and ready for delivery.

Your satisfaction is important to us and we strive to provide quality products, excellent service, and competitive prices.

If you are looking for products or sizes not listed here, contact our sales staff, and we will make every attempt to produce the items you need.

EMERGENCY DELIVERY SERVICE

At Mass Electrical Apparatus, we realize that our customers often need items "ASAP". For those occasions, we are offering the following "Emergency Delivery" services:

Premium Overnight/1 Day Service:

When you need a product immediately, this is the service to choose.

We can guarantee next day delivery for many items. Please contact our sales staff for more information.

3 Day Delivery Service:

Once we receive your order, will be process and deliver it within 2 to 3 days.

Normal Delivery:

Our normal delivery time on most standard items is 5-7 working days.

Mass Electrical Apparatus Service L.L.C.
42 Oakville Street, Lynn, MA 01905
Phone: (781) 592-0410 Fax: (781) 592-0986

Mass Electrical Apparatus

Manufacturers of Quality Electrical Enclosures

SCREW COVER BOXES

With Knockouts



W x H x D	CAT. NO.	STD. BDLE.	APPROX. SHPG. WT.	GAUGE	LIST PRICE
6 x 6 x 3	MEASC663	10	23 lbs.	16	11.39
6 x 6 x 4	MEASC664	10	25 lbs.	16	11.67
6 x 8 x 4	MEASC684	10	35 lbs.	16	15.15
8 x 8 x 4	MEASC884	10	51 lbs.	16	16.65
8 x 10 x 4	MEASC8104	10	55 lbs.	16	17.51
10 x 10 x 4	MEASC10104	6	35 lbs.	16	21.02
12 x 12 x 4	MEASC12124	6	54 lbs.	16	24.46
12 x 15 x 4	MEASC12154	4	44 lbs.	16	34.70
12 x 18 x 4	MEASC12184	4	48 lbs.	16	38.53
18 x 18 x 4	MEASC18184	2	34 lbs.	16	51.03
6 x 6 x 6	MEASC666	6	18 lbs.	16	15.47
8 x 8 x 6	MEASC886	6	30 lbs.	16	18.97
10 x 10 x 6	MEASC10106	6	51 lbs.	16	24.82
12 x 12 x 6	MEASC12126	4	39 lbs.	16	34.12
12 x 18 x 6	MEASC12186	4	56 lbs.	16	43.80
18 x 18 x 6	MEASC18186	2	40 lbs.	16	56.91
18 x 24 x 6	MEASC18246	2	52 lbs.	16	98.32
24 x 24 x 6	MEASC24246	1	40 lbs.	14	120.51
12 x 12 x 8	MEASC12128	3	40 lbs.	16	56.91
18 x 18 x 8	MEASC18188	2	46 lbs.	16	88.96
24 x 24 x 8	MEASC24248	1	43 lbs.	14	159.88
18 x 18 x 10	MEASC181810	1	25 lbs.	16	107.33
24 x 24 x 10	MEASC242410	1	51 lbs.	14	173.59
30 x 30 x 10	MEASC303010	1	60 lbs.	14	237.73
36 x 36 x 10	MEASC363610	1	125 lbs.	12	445.52
24 x 24 x 12	MEASC242412	1	52 lbs.	14	201.88
30 x 30 x 12	MEASC303012	1	73 lbs.	14	296.16
36 x 36 x 12	MEASC363612	1	155 lbs.	12	501.97

COVER SCREWS: 4 per box except:

Size: 6 x 6 - 2 per box
30 x 30 - 8 per box
36 x 36 - 12 per box



FLANGE SIZE:

9/16" flange most 16 Ga. Sizes thru 18 x 18.
3/4" flange on large 16 Ga. Sizes, and all 14 Ga. Sizes.
1" flange on all 12 Ga. Sizes.

MOUNTING HOLES:

All Screw Cover Boxes have 1/4" mounting holes in the back side of the box, located 1" by 1" from the corners.

STANDARD SIZE SCREW COVER BOXES ARE ALSO AVAILABLE AS FOLLOWS:

1. Gray without knockouts. Add "nk" to catalog number.
2. Plain Galvanized without knockouts. Add "nkg" to catalog number.
3. Plain galvanized with knockouts. Add "g" to catalog number. Consult factory for pricing.

NOTE: Gray with knockouts are readily available and will be supplied unless otherwise specified. All boxes listed here are manufactured in gauges conforming to the National Electric Code. Meets NEMA Type 1 requirements.

Listed by Underwriters Laboratories, Inc.

Mass Electrical Apparatus

Manufacturers of Quality Electrical Enclosures



SCREW COVER BOXES

No Knockouts, Painted or Galvanized

W x H Inches	DEPTH					Code Gauge
	3"	4"	6"	8"	10"	
6 X 6	13.78	14.82	18.91	23.27		16
6 X 8	17.17	18.49	22.78	28.02		16
6 X 9	17.84	19.77	25.53	30.28		16
6 X 10	20.33	23.05	27.56	32.54		16
6 X 12	23.27	25.14	31.63	36.60		16
8 X 8	20.79	22.14	26.64	32.54		16
8 X 10	24.85	25.56	30.73	37.50		16
8 X 12	28.39	29.44	35.24	42.70		16
9 X 9	24.85	26.89	32.54	38.63		16
9 X 12	30.28	33.21	39.54	45.64		16
9 X 16	38.86	42.70	50.38	57.39		16
10 X 10	28.46	30.09	35.68	43.14	49.03	16
10 X 12	32.54	33.73	39.98	49.03	55.13	16
10 X 15	38.86	42.70	50.38	57.39	64.61	16
10 X 18	45.18	49.03	57.61	65.97	73.87	16
12 X 12	37.50	38.46	45.76	62.32	72.07	16
12 X 15	49.03	50.07	57.80	68.90	77.03	16
12 X 18	56.02	57.80	66.61	78.61	87.65	16
12 X 24	72.07	58.03	83.81	93.05	108.89	16
12 X 30	92.63	100.31	115.22	130.58	145.71	16
12 X 36	109.79	118.38	135.55	153.40	172.15	16
15 X 15	57.61	62.35	70.95	79.52	88.10	16
15 X 18	66.86	72.07	76.93	90.82	100.31	16
15 X 24	84.49	90.82	101.20	112.96	124.25	16
15 X 30	110.91	118.38	135.33	151.81	168.08	16
15 X 36	130.58	139.84	154.00	175.99	194.96	16
18 X 18	76.35	77.58	88.75	102.79	115.71	16
18 X 21	93.76	100.99	114.30	128.54	142.99	16
18 X 24	105.27	112.96	121.41	142.99	158.14	16
18 X 30	128.10	137.13	153.84	172.15	188.86	16
18 X 36	151.81	161.07	180.73	200.60	219.58	16
18 X 40	164.01	173.28	193.83	214.16	235.62	16
24 X 24	134.42	142.99	152.35	177.34	192.85	14
24 X 30	163.56	173.50	192.94	212.57	231.78	14
24 X 36	193.83	204.91	225.69	247.59	268.61	14
24 X 40	213.03	224.78	248.50	270.87	294.14	14
24 X 48	324.41	341.13	373.43	406.42	438.26	14

W x H Inches	DEPTH					Code Gauge	
	6"	8"	10"	12"	16"		20"
30 X 30	231.78	253.02	274.70	296.16	339.08	382.00	424.94
30 X 36	346.77	376.60	406.64	437.36	598.57	672.31	746.04
30 X 42	396.25	429.69	461.53	494.96	674.21	754.44	834.70
30 X 48	446.62	482.32	516.66	551.67	746.04	830.08	914.12
30 X 54	579.68	625.10	669.15	712.29	958.31	1061.87	1165.42
30 X 60	639.32	685.63	733.75	780.74	1049.66	1162.45	1275.22
30 X 66	697.39	748.89	798.59	849.21	1140.48	1261.93	1383.38
30 X 72	754.08	808.08	860.94	914.72	1226.69	1355.74	1484.76
36 X 36	403.25	436.46	491.28	501.97	683.15	763.93	844.72
36 X 42	539.02	579.92	621.25	663.04	895.95	996.27	1096.58
36 X 48	606.35	651.75	692.87	739.40	998.97	1110.66	1222.36
36 X 54	674.12	722.46	769.22	814.19	1084.91	1192.80	1300.70
36 X 60	740.53	792.03	841.74	893.26	1195.52	1319.13	1442.76
36 X 66	809.67	864.11	916.98	970.50	1293.11	1421.61	1550.11
36 X 72	876.98	933.23	990.84	1047.55	1393.15	1529.23	1665.31
36 X 78	945.21	1005.52	1065.39	1123.91	1489.11	1629.53	1769.96
36 X 84	1012.07	1073.98	1138.58	1201.85	1594.01	1745.83	1897.64
42 X 42	614.93	659.43	703.49	748.89	1007.66	1116.63	1225.60
42 X 48	691.96	739.40	786.39	833.61	1113.64	1226.96	1340.28
42 X 54	769.22	819.38	869.54	920.59	1227.23	1349.77	1472.30
42 X 60	845.12	899.79	952.43	1007.10	1339.75	1470.95	1602.16
42 X 66	911.77	980.67	1036.47	1093.18	1447.90	1583.99	1720.09
42 X 72	999.43	1059.52	1118.47	1179.25	1560.95	1706.79	1852.64
42 X 78	1075.55	1138.58	1201.85	1265.10	1669.93	1821.75	1973.55
42 X 84	1153.95	1219.70	1285.21	1351.17	1779.72	1938.03	2096.35
42 X 90	1231.67	1298.07	1370.15	1438.38	1889.78	2053.52	2217.26
42 X 96	1306.67	1381.66	1452.38	1525.80	2007.17	2183.38	2359.59
48 X 48	776.91	827.51	877.44	926.23	1228.60	1345.70	1462.81
48 X 54	862.98	916.98	970.50	1024.96	1360.61	1491.28	1621.94
48 X 60	950.41	1007.10	1062.05	1121.29	1487.70	1629.86	1772.02
48 X 66	1024.47	1095.21	1154.86	1215.62	1604.60	1700.53	1896.30
48 X 72	1122.32	1150.55	1214.49	1277.98	1685.93	1750.44	1990.63
48 X 78	1207.27	1274.13	1340.10	1406.74	1848.04	2007.99	2167.92
48 X 84	1294.46	1364.49	1432.27	1501.85	1969.22	2136.20	2303.19
48 X 90	1381.66	1454.18	1527.15	1598.99	2091.21	2263.62	2436.03
48 X 96	1465.48	1538.23	1617.30	1691.39	2207.50	2385.34	2563.17
54 X 54	957.40	1015.92	1072.85	1128.64	1488.29	1622.21	1756.13
54 X 60	1058.61	1113.29	1174.06	1239.79	1645.53	1803.30	1961.08
54 X 66	1148.75	1213.59	1274.13	1338.07	1759.12	1912.55	2065.98
54 X 72	1243.18	1308.24	1376.25	1443.78	1894.67	2056.77	2218.89
54 X 78	1338.52	1408.33	1478.80	1547.48	2021.80	2186.63	2351.45
54 X 84	1437.01	1525.80	1580.24	1652.32	2155.69	2328.68	2501.64
54 X 90	1530.32	1622.03	1681.44	1756.00	2286.11	2465.04	2643.96
54 X 96	1628.36	1702.23	1783.34	1862.17	2423.84	2613.06	2802.27
60 X 60	1156.44	1221.50	1282.72	1345.97	1766.97	1918.79	2070.60
60 X 66	1262.62	1329.71	1395.67	1460.06	1906.58	2061.11	2215.64
60 X 72	1366.30	1437.01	1504.78	1574.82	2057.86	2225.93	2394.01
60 X 78	1472.71	1545.90	1615.26	1679.87	2170.90	2325.96	2481.03
60 X 84	1578.65	1652.32	1729.56	1801.41	2334.10	2506.51	2678.93
60 X 90	1681.44	1760.97	1836.87	1917.97	2496.21	2690.87	2885.50
60 X 96	1782.43	1871.21	1952.32	2034.10	2637.18	2833.45	3029.73

Standard Construction: Fabricated of steel or galvanized steel (please specify) in gauges meeting or exceeding National Electrical Code Requirements.
Meets NEMA Type 1 requirements.
Listed by Underwriters Laboratories, Inc.

KNOCKOUTS: Our standard knockout arrangement is available on 16 and 14 ga sizes only. Add 10% to list prices.

Standard Finish: Gray baked powder coat finish on steel boxes.

Galvanized steel boxes are regularly supplied unpainted except for welded areas, which are touched up with galvanizing spray.

Note: Other sizes available: Consult factory

Mass Electrical Apparatus

Manufacturers of Quality Electrical Enclosures

FLUSH COVERS FOR SCREW COVER BOXES



Our Flush Covers fit our standard screw cover boxes. Overall dimensions of the flush cover are 2" larger than the overall box dimensions to allow for recessed installation.

Cover Screws: 4 per cover except:
6w x 6h 2 per cover
30w x 30h 8 per cover
36w x 36h 12 per cover

PLEASE NOTE: TO ORDER STANDARD SCREW COVER REPLACEMENT COVERS, SUBSTITUTE "RC" FOR "FC"

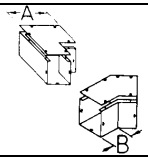
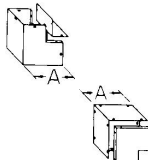
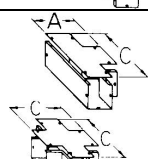
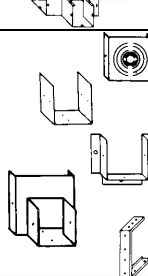
Size	CATALOG NUMBER	APPROX. SHPG. WGT.	LIST PRICE
Fits 6 x 6 box	ME AFC66	1/4 Lb.	3.87
Fits 6 x 8 box	ME AFC68	1/4 Lb.	5.05
Fits 6 x 12 box	ME AFC612	3/4 Lb.	5.54
Fits 8 x 8 box	ME AFC88	1 Lb.	5.54
Fits 8 x 10 box	ME AFC810	1 1/4 Lb.	5.80
Fits 8 x 12 box	ME AFC812	1 1/4 Lb.	6.61
Fits 10 x 10 box	ME AFC1010	1 3/4 Lb.	6.98
Fits 10 x 12 box	ME AFC1012	2 Lbs.	7.58
Fits 12 x 12 box	ME AFC1212	2 1/2 Lbs.	7.69
Fits 12 x 15 box	ME AFC1215	3 1/2 Lbs.	11.56
Fits 12 x 18 box	ME AFC1218	4 Lbs.	12.85
Fits 18 x 18 box	ME AFC1818	6 Lbs.	18.97
Fits 18 x 24 box	ME AFC1824	10 Lbs.	32.78
Fits 24 x 24 box	ME AFC2424	13 Lbs.	40.14
Fits 30 x 30 box	ME AFC3030	20 Lbs.	79.25
Fits 30 x 36 box	ME AFC3636	40 Lbs.	148.49

Mass Electrical Apparatus

Manufacturers of Quality Electrical Enclosures

WIREWAY



SIZE	2 1/2" x 2 1/2"				4" x 4"				6" x 6"			
	CAT. NO.	Std. Bdle.	Appx. Shpg. Wgt.	List Price Each	CAT. NO.	Std. Bdle.	Appx. Shpg. Wgt.	List Price Each	CAT. NO.	Std. Bdle.	Appx. Shpg. Wgt.	List Price Each
1Foot	MEAS21	6	12	10.98	MEAS41	4	12	11.82	MEAS61	4	20	21.88
2 Feet	MEAS22	6	24	14.63	MEAS42	4	24	17.50	MEAS62	4	40	29.17
3 Feet	MEAS23	6	36	21.92	MEAS43	4	36	26.87	MEAS63	4	60	40.25
4 Feet	MEAS24	5	40	30.09	MEAS44	4	48	35.57	MEAS64	2	40	54.86
5 Feet	MEAS25	5	50	35.91	MEAS45	4	60	40.25	MEAS65	2	50	67.69
10Feet	MEAS210NK	3	60	76.23	MEAS410NK	2	60	83.12	MEAS610NK	2	100	139.99
	90° ELL W/ FLAT COVER	MEA290L	A dim - 5 Wt. 2 lb.	22.46	MEA490L	A dim - 7 Wt. 3 lb.	24.49	MEA690L	A dim - 9 Wt. 6 lb.	34.70		
	45° ELL W/ FLAT COVER	MEA245L	A dim - 2 1/2 Wt. 1 1/4 lb.	22.46	MEA445L	A dim - 3 Wt. 2 1/2 lb.	24.49	MEA645L	A dim - 3 Wt. 4 lb.	34.70		
	90° ELL W/ INTERNAL COVER	MEA290I	A dim - 5 Wt. 2 lb.	22.46	MEA490I	A dim - 7 Wt. 3 lb.	24.49	MEA690I	A dim - 9 Wt. 6 lb.	34.70		
	90° ELL W/ EXTERNAL COVER	MEA290E	A dim - 5 Wt. 2 lb.	22.46	MEA490E	A dim - 7 Wt. 3 lb.	24.49	MEA690E	A dim - 9 Wt. 6 lb.	34.70		
	TEE W/ FLAT COVER	MEA2T	A dim - 5 C dim - 7 1/2 Wt. 2 lb.	36.16	MEA4T	A dim - 7 C dim - 10 Wt. 4 lb.	39.11	MEA6T	A dim 9 C dim. - 12 Wt. 6 lb.	48.70		
	CROSS W/ FLAT COVER	MEA2X	C dim - 7 1/2 Wt. 2 lb.	67.69	MEA4X	C dim - 10 Wt. 4 lb.	74.41	MEA6X	C dim. - 12 Wt. 6 lb.	97.46		
	END COUPLING	MEA2E MEA2C	Wt. 1/3 lb. Wt. 1/4 lb.	3.10 3.10	MEA4E MEA4C	Wt. 1/2 lb. Wt. 1/2 lb.	3.32 3.32	MEA6E MEA6C	Wt. 1 1/4 lb. Wt. 3/4 lb.	5.26 5.26		
	FLANGE	MEA2PA	Wt. 1/3 lb.	8.29	MEA4PA	Wt. 1/2 lb.	9.38	MEA6PA	Wt. 3/4 lb.	14.27		
	REDUCER				MEA42R	4x4 to 2 1/2 x 2 1/2 Wt. 1/2 lb.	17.20	MEA64R	6 x 6 to 4 x 4 Wt. 1 lb.	34.12		
	HANGER	MEA2H	Wt. 1/2 lb.	7.83	MEA4H	Wt. 3/4 lb.	9.09	MEA6H	Wt. 1 lb.	17.20		

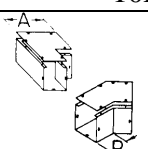
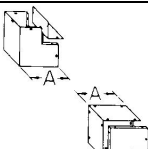
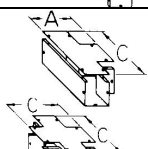
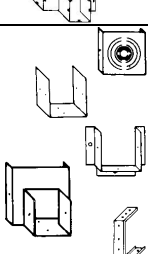
Pricing is based on standard bundles only. Standard stock sizes with screw covers and knockouts. Knockouts are not standard on 10 foot lengths.

Note: Wireway without knockouts is readily available at no extra cost. Add "NK" at end of catalog number.
 Hinged cover wireway is also available. (add 20% to list price) To order, substitute "H" for "S" in catalog number.
 Construction: 16 gauge steel with formed flanges on body.
 Finish: Gray baked powder coat finish. Galvanized available. Consult factory for pricing and availability.
 Meets NEMA Type 1 requirements.
 Listed by Underwriters Laboratories, Inc.

Mass Electrical Apparatus

Manufacturers of Quality Electrical Enclosures

WIREWAY - CONTINUED

SIZE	8" x 8"				10" x 10"				12" x 12"			
	CAT. NO.	Std. Bdle.	Appx. Shpg. Wgt.	List Price Each	CAT. NO.	Std. Bdl e.	Appx. Shpg. Wgt.	List Price Each	CAT. NO.	Std. Bdle.	Appx. Shpg. Wgt.	List Price Each
1Foot	MEAS81NK	2	12	37.34	MEAS101NK	2	20	64.20	MEAS120NK	2	24	72.37
2 Feet	MEAS82NK	2	24	56.91	MEAS102NK	2	40	98.32	MEAS122NK	2	48	105.03
3 Feet	MEAS83NK	2	36	82.26	MEAS103NK	2	60	126.32	MEAS123NK	2	72	144.40
4 Feet	MEAS84NK	2	48	100.35	MEAS104NK	2	80	156.08	MEAS124NK	2	96	179.39
5 Feet	MEAS85NK	2	60	118.15	MEAS105NK	2	110	186.69	MEAS125NK	2	120	219.69
10Feet	MEAS810NK	2	120	247.00	MEAS1010NK	1	110	382.85	MEAS1210NK	1	120	446.50
	90° ELL W/ FLAT COVER	MEA890L	A dim - 11 Wt. 8 lb.	52.31	MEA1090L	A dim - 7 Wt. 3 lb.	96.27	MEA1290L	A dim - 9 Wt. 6 lb.	114.65		
	45° ELL W/ FLAT COVER	MEA845L	A dim - 3 Wt. 6 lb.	52.31	MEA1045L	A dim - 3 Wt. 2 1/2 lb.	96.27	MEA1245L	A dim - 3 Wt. 4 lb.	114.65		
	90° ELL W/ INTERNAL COVER	MEA890I	A dim - 11 Wt. 8 lb.	52.31	MEA1090I	A dim - 7 Wt. 3 lb.	96.27	MEA1290I	A dim - 9 Wt. 6 lb.	114.65		
	90° ELL W/ EXTERNAL COVER	MEA890E	A dim - 11 Wt. 8 lb.	52.31	MEA1090E	A dim - 7 Wt. 3 lb.	96.27	MEA1290E	A dim - 9 Wt. 6 lb.	114.65		
	TEE W/ FLAT COVER	MEA8T	A dim - 11 C dim - 14 Wt. 11 lb.	102.68	MEA10T	A dim - 7 C dim - 10 Wt. 4 lb.	155.22	MEA12T	A dim 9 C dim - 12 Wt. 6 lb.	180.89		
	CROSS W/ FLAT COVER	MEA8X	C dim - 14 Wt. 11 lb.	114.65	MEA10X	C dim - 10 Wt. 4 lb.	194.86	MEA12X	C dim. - 12 Wt. 6 lb.	286.77		
	END	MEA8E	Wt. 1 1/2 lb.	6.73	MEA10E	Wt. 1/2 lb.	15.15	MEA12E	Wt. 1 1/4 lb.	15.74		
	COUPLING	MEA8C	Wt. 1 lb.	6.73	MEA10C	Wt. 1/2 lb.	13.11	MEA12C	Wt. 3/4 lb.	14.61		
	FLANGE	MEA8PA	Wt. 1 lb.	19.56	MEA10PA	Wt. 1/2 lb.	39.11	MEA12PA	Wt. 3/4 lb.	45.24		
	REDUCER	MEA86R	8x8 to 6x6 Wt. - 1 3/4 lb.	39.11	MEA108R	4x4 to 2 1/2 x 2 1/2 Wt. 1/2 lb.	49.00	MEA1210R	6x6 to 4x4 Wt. 1 lb.	55.44		
	HANGER	MEA8H	Wt. 1 1/4 lb.	19.84	MEA10H	Wt. 3/4 lb.	28.06	MEA12H	Wt. 1 lb.	39.19		

Construction: manufactured from 14 gauge steel with formed flanges on body.

Finish: Gray baked powder coat. (Galvanized available).

Hinged Cover Wireway: All sizes furnished in screw cover are readily available with hinged covers. (Add 20% to list price).

To order with hinged covers, substitute "H" for "S" in catalog number.

Meets NEMA Type 1 requirements. Listed by Underwriters Laboratories, Inc.

REPLACEMENT COVERS FOR SCREW COVER WIREWAY												
SIZE	2 1/2 x 2 1/2		4 x 4		6 x 6		8 x 8		10 x 10		12 x 12	
	Cat. No.	List Price	Cat. No.	List Price	Cat. No.	List Price	Cat. No.	List Price	Cat. No.	List Price	Cat. No.	List Price
1 Foot	MEATC1	3.72	MEATC41	3.95	MEATC61	7.31	MEATC81	12.46	MEATC101	21.45	MEATC121	24.13
2 Feet	MEATC2	4.90	MEATC42	5.85	MEATC62	9.74	MEATC82	18.97	MEATC102	32.78	MEATC122	35.03
3 Feet	MEATC3	7.31	MEATC43	8.98	MEATC63	13.43	MEATC83	27.46	MEATC103	42.12	MEATC123	48.13
4 Feet	MEATC4	9.98	MEATC44	11.88	MEATC64	18.27	MEATC84	33.48	MEATC104	52.07	MEATC124	59.79
5 Feet	MEATC5	11.99	MEATC45	13.43	MEATC65	22.56	MEATC85	39.39	MEATC105	62.27	MEATC125	73.23
10 Feet	MEATC10	23.97	MEATC410	27.71	MEATC610	46.74	MEATC810	82.34	MEATC1010	127.61	MEATC1210	148.84
90° Flat	MEALC290	11.23	MEALC490	12.25	MEALC690	17.36	MEALC890	26.16	MEALC1090	48.15	MEALC1290	57.33
90° Internal	MEAIC290	11.23	MEAIC490	12.25	MEAIC690	17.36	MEAIC890	26.16	MEAIC1090	48.15	MEAIC1290	57.33
90° External	MEAEC290	11.23	MEAEC490	12.25	MEAEC690	17.36	MEAEC890	26.16	MEAEC1090	48.15	MEAEC1290	57.33
Tee	MEATC2T	18.09	MEATC4T	19.56	MEATC6T	17.36	MEATC8T	51.34	MEATC10T	77.61	MEATC12T	90.45

Mass Electrical Apparatus

Manufacturers of Quality Electrical Enclosures

HINGED COVER BOXES

Without knockouts – gray or galvanized
(Made to Order)



2 Dr. Hinge Cover Box



1 Dr. Hinge Cover Box

W x H Inches	DEPTH						Code Gauge
	3"	4"	6"	8"	10"	12"	
6 X 6	13.78	14.82	18.91	23.27			16
6 X 8	17.17	18.49	22.78	28.02			16
6 X 9	17.84	19.77	25.53	30.28			16
6 X 10	20.33	23.05	27.56	32.54			16
6 X 12	23.27	25.14	31.63	36.60			16
8 X 8	20.79	22.14	26.64	32.54			16
8 X 10	24.85	25.56	30.73	37.50			16
8 X 12	28.39	29.44	35.24	42.70			16
9 X 9	24.85	26.89	32.54	38.63			16
9 X 12	30.28	33.21	39.54	45.64			16
9 X 16	38.86	42.70	50.38	57.39			16
10 X 10	28.46	30.09	35.68	43.14	49.03		16
10 X 12	32.54	33.73	39.98	49.03	55.13		16
10 X 15	38.86	42.70	50.38	57.39	64.61		16
10 X 18	45.18	49.03	57.61	65.97	73.87		16
12 X 12	37.50	38.46	45.76	62.32	72.07	79.52	16
12 X 15	49.03	50.07	57.80	68.90	77.03	84.94	16
12 X 18	56.02	57.80	66.61	78.61	87.65	95.79	16
12 X 24	72.07	58.03	83.81	93.05	108.89	119.05	16
12 X 30	92.63	100.31	115.22	130.58	145.71	161.07	16
12 X 36	109.79	118.38	135.55	153.40	172.15	187.73	16
15 X 15	57.61	62.35	70.95	79.52	88.10	96.69	16
15 X 18	66.86	72.07	76.93	90.82	100.31	110.48	16
15 X 24	84.49	90.82	101.20	112.96	124.25	135.33	16
15 X 30	110.91	118.38	135.33	151.81	168.08	183.45	16
15 X 36	130.58	139.84	154.00	175.99	194.96	213.48	16
18 X 18	76.35	77.58	88.75	102.79	115.71	123.58	16
18 X 21	93.76	100.99	114.30	128.54	142.99	157.01	16
18 X 24	105.27	112.96	121.41	142.99	158.14	173.50	16
18 X 30	128.10	137.13	153.84	172.15	188.86	206.71	16
18 X 36	151.81	161.07	180.73	200.60	219.58	238.79	16
18 X 40	164.01	173.28	193.83	214.16	235.62	254.60	16
24 X 24	134.42	142.99	152.35	177.34	192.85	220.40	14
24 X 30	163.56	173.50	192.94	212.57	231.78	250.76	14
24 X 36	193.83	204.91	225.69	247.59	268.61	290.52	14
24 X 40	213.03	224.78	248.50	270.87	294.14	316.49	14
24 X 48	324.41	341.13	373.43	406.42	438.26	471.69	14

W x H Inches	DEPTH							Code Gauge
	6"	8"	10"	12"	16"	20"	24"	
30 X 30	231.78	253.02	274.70	296.16	339.08	382.00	424.94	14
30 X 36	346.77	376.60	406.64	437.36	598.57	672.31	746.04	12
30 X 42	396.25	429.69	461.53	494.96	674.21	754.44	834.70	12
30 X 48	446.62	482.32	516.66	551.67	746.04	830.08	914.12	12
30 X 54	579.68	625.10	669.15	712.29	958.31	1061.87	1165.42	12
30 X 60	639.32	685.63	733.75	780.74	1049.66	1162.45	1275.22	12
30 X 66	697.39	748.89	798.59	849.21	1140.48	1261.93	1383.38	12
30 X 72	754.08	808.08	860.94	914.72	1226.69	1355.74	1484.76	12
36 X 36	403.25	436.46	491.28	501.97	683.15	763.93	844.72	12
36 X 42	539.02	579.92	621.25	663.04	895.95	996.27	1096.58	12
36 X 48	606.35	651.75	692.87	739.40	998.97	1110.66	1222.36	12
36 X 54	674.12	722.46	769.22	814.19	1084.91	1192.80	1300.70	12
36 X 60	740.53	792.03	841.74	893.26	1195.52	1319.13	1442.76	12
36 X 66	809.67	864.11	916.98	970.50	1293.11	1421.61	1550.11	12
36 X 72	876.98	933.23	990.84	1047.55	1393.15	1529.23	1665.31	12
36 X 78	945.21	1005.52	1065.39	1123.91	1489.11	1629.53	1769.96	12
36 X 84	1012.07	1073.98	1138.58	1201.85	1594.01	1745.83	1897.64	12
42 X 42	614.93	659.43	703.49	748.89	1007.66	1116.63	1225.60	12
42 X 48	691.96	739.40	786.39	833.61	1113.64	1226.96	1340.28	12
42 X 54	769.22	819.38	869.54	920.59	1227.23	1349.77	1472.30	12
42 X 60	845.12	899.79	952.43	1007.10	1339.75	1470.95	1602.16	12
42 X 66	911.77	980.67	1036.47	1093.18	1447.90	1583.99	1720.09	12
42 X 72	999.43	1059.52	1118.47	1179.25	1560.95	1706.79	1852.64	12
42 X 78	1075.55	1138.58	1201.85	1265.10	1669.93	1821.75	1973.55	12
42 X 84	1153.95	1219.70	1285.21	1351.17	1779.72	1938.03	2096.35	12
42 X 90	1231.67	1298.07	1370.15	1438.38	1889.78	2053.52	2217.26	12
42 X 96	1306.67	1381.66	1452.38	1525.80	2007.17	2183.38	2359.59	12
48 X 48	776.91	827.51	877.44	926.23	1228.60	1345.70	1462.81	10
48 X 54	862.98	916.98	970.50	1024.96	1360.61	1491.28	1621.94	10
48 X 60	950.41	1007.10	1062.05	1121.29	1487.70	1629.86	1772.02	10
48 X 66	1024.47	1095.21	1154.86	1215.62	1604.60	1700.53	1896.30	10
48 X 72	1122.32	1150.55	1214.49	1277.98	1685.93	1750.44	1990.63	10
48 X 78	1207.27	1274.13	1340.10	1406.74	1848.04	2007.99	2167.92	10
48 X 84	1294.46	1364.49	1432.27	1501.85	1969.22	2136.20	2303.19	10
48 X 90	1381.66	1454.18	1527.15	1598.99	2091.21	2263.62	2436.03	10
48 X 96	1465.48	1538.23	1617.30	1691.39	2207.50	2385.34	2563.17	10
54 X 54	957.40	1015.92	1072.85	1128.64	1488.29	1622.21	1756.13	10
54 X 60	1058.61	1113.29	1174.06	1239.79	1645.53	1803.30	1961.08	10
54 X 66	1148.75	1213.59	1274.13	1338.07	1759.12	1912.55	2065.98	10
54 X 72	1243.18	1308.24	1376.25	1443.78	1894.67	2056.77	2218.89	10
54 X 78	1338.52	1408.33	1478.80	1547.48	2021.80	2186.63	2351.45	10
54 X 84	1437.01	1525.80	1580.24	1652.32	2155.69	2328.68	2501.64	10
54 X 90	1530.32	1622.03	1681.44	1756.00	2286.11	2465.04	2643.96	10
54 X 96	1628.36	1702.23	1783.34	1862.17	2423.84	2613.06	2802.27	10
60 X 60	1156.44	1221.50	1282.72	1345.97	1766.97	1918.79	2070.60	10
60 X 66	1262.62	1329.71	1395.67	1460.06	1906.58	2061.11	2215.64	10
60 X 72	1366.30	1437.01	1504.78	1574.82	2057.86	2225.93	2394.01	10
60 X 78	1472.71	1545.90	1615.26	1679.87	2170.90	2325.96	2481.03	10
60 X 84	1578.65	1652.32	1729.56	1801.41	2334.10	2506.51	2678.93	10
60 X 90	1681.44	1760.97	1836.87	1917.97	2496.21	2690.87	2885.50	10
60 X 96	1782.43	1871.21	1952.32	2034.10	2637.18	2833.45	3029.73	10

Standard Construction: Fabricated of steel or galvanized steel (please specify) in gauges meeting or exceeding National Electrical Code Requirements. Meets NEMA Type 1 requirements. Listed by Underwriters Laboratories, Inc.

Single door units are regularly supplied with butt hinges and padlock hasp and staple.

Two door enclosures will be furnished with Butt hinges, handle and 3 point catch, padlock hasp and staple (cabinets 30" wide or more only).

Note: Other hardware options available; Consult factory.

Note: Mass Electrical Apparatus can supply many sizes not shown or make modifications to above sizes. Consult factory.

KNOCKOUTS: Our standard knockout arrangement is available on 16 and 14 ga sizes only. Add 10% to list prices.

Standard Finis h: Gray baked powder coat finish on steel boxes. Galvanized steel boxes are regularly supplied unpainted except for welded areas, which are touched up with cold galvanizing compound.

Mass Electrical Apparatus

Manufacturers of Quality Electrical Enclosures

BUSSED CURRENT TRANSFORMER CABINETS



STANDARD STOCK SIZES

CT CABINETS

3 TRANSFORMER MOUNT FOR USE IN
3 PH. , 4 WIRE SYSTEMS

CABINET SIZE W x H x D	AMPS	PH.	CAT. NO.	LIST PRICE
36 x 36 x 10	400-800	3	MEA3CT800	1042.70

SPIDER ASSEMBLY FOR 3CT 800
WHEN PURCHASED SEPARATELY

CABINET SIZE W x H x D	AMPS	PH.	CAT. NO.	LIST PRICE
NA	400-800	3	MEAPL3CT800	768.48

NEUTRAL BAR ASSEMBLIES

CABINET SIZE W x H x D	AMPS	PH.	CAT. NO.	LIST PRICE
NA	400-800	3	MEACTN-800	153.06

- Fabricated with 14 gauge steel, finished in gray enamel, furnished less knockouts.
- Steel hinges with non-removable pins are standard.
- Hinged double doors have screws top and bottom and hasp for utility company sealing.
- Designed to receive 600 volt standard bar type transformers in ratings to 800 amperes.
- Complete with current transformer mounting pads with provisions for jumper connections.
- Mass Electrical can supply many sizes not shown and make modifications to above. Consult factory for prices.

Meets NEMA Type 1 requirements.

Listed by Underwriters Laboratories, Inc.

CURRENT TRANSFORMER CABINETS



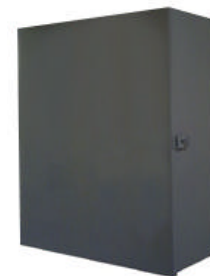
CONSTRUCTION: Fabricated with 14 ga. steel, formed and welded into a rigid cabinet. Furnished less knockouts.

HARDWARE: Steel hinges with non-removable pins and a hasp for utility company sealing are standard on all transformer cabinets. Double door units are also provided with a screws top and bottom.

Finish: Gray baked powder coat finish.

Double Door STANDARD STOCK SIZES

SIZE W x H x D	CATALOG NUMBER	APPROX. SHPG. WGT.	LIST PRICE
30 x 30 x 10	MEACT303010	66	237.73
36 x 30 x 10	MEACT363010	76	278.28
36 x 36 x 10	MEACT363610	95	319.82



Single Door STANDARD SIZES

SIZE W x H x D	CATALOG NUMBER	APPROX. SHPG. WGT.	LIST PRICE
24 x 24 x 10	MEACT242410	51	151.53
24 x 30 x 10	MEACT243010	60	179.08
24 x 36 x 10	MEACT243610	66	206.63

Note: Other sizes, and Type 3R current transformer cabinets are also available.
Consult factory for pricing.

Mass Electrical Apparatus

Manufacturers of Quality Electrical Enclosures

TELEPHONE CABINETS

MADE TO ORDER

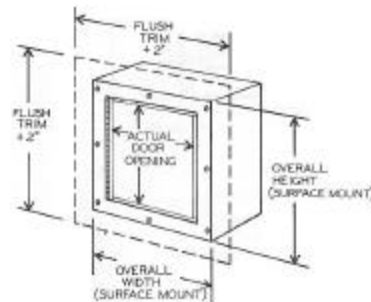


W x H Inches	4"	6"	8"	10"	12"	3/4" Plywood Back	Code Gauge Box/Trim
12 x 12	90.73	99.28	107.83	116.38	124.93	12.88	16ga/14ga
12 x 15	99.28	107.83	116.38	124.93	139.47	15.58	16ga/14ga
12 x 18	107.83	116.38	127.60	142.32	158.45	19.32	16ga/14ga
12 x 24	124.93	142.09	160.59	177.42	196.17	25.41	16ga/14ga
12 x 30	158.45	178.61	198.07	220.18	240.28	31.86	16ga/12ga
12 x 36	184.78	208.98	232.23	256.41	279.19	38.29	16ga/12ga
15 x 15	107.83	116.38	129.04	144.69	159.40	19.32	16ga/14ga
15 x 18	125.16	140.74	157.01	172.61	187.81	21.02	16ga/14ga
15 x 24	157.23	175.76	194.50	213.70	232.70	31.86	16ga/14ga
15 x 30	178.61	206.13	227.86	249.77	272.78	39.66	16ga/12ga
15 x 36	215.51	240.77	265.68	290.81	315.25	46.77	16ga/12ga
18 x 18	139.41	156.51	174.56	192.61	210.66	25.41	16ga/14ga
18 x 21	152.99	172.21	191.90	211.59	230.33	33.21	16ga/12ga
18 x 24	174.82	195.46	215.86	240.77	256.66	38.29	16ga/12ga
18 x 30	192.85	214.20	257.84	280.14	303.86	46.77	16ga/12ga
18 x 36	241.47	272.78	298.88	325.20	352.02	56.60	16ga/12ga
18 x 40	274.46	299.84	320.00	347.99	377.63	62.69	16ga/12ga
24 x 24	218.23	241.72	265.44	289.15	311.93	50.15	14ga/12ga
24 x 30	263.07	289.86	315.48	341.57	368.39	62.69	14ga/12ga
24 x 36	307.18	336.59	366.01	395.43	424.12	75.57	14ga/12ga
24 x 40	356.52	389.72	424.12	455.44	487.93	83.71	14ga/12ga
24 x 44	386.09	421.11	455.43	490.90	525.25	92.26	14ga/12ga
24 x 48	417.72	454.54	491.36	528.41	590.08	95.57	14ga/12ga
30 x 30	296.62	328.48	356.26	381.57	411.61	78.63	14ga/12ga
30 x 36	387.66	421.78	455.43	489.77	523.20	94.89	12ga/12ga
30 x 42	444.37	477.80	517.33	550.54	590.98	109.46	12ga/12ga
30 x 48	499.94	539.47	579.68	618.54	658.99	125.71	12ga/12ga
30 x 54	731.73	782.68	837.45	891.89	948.82	141.32	12ga/10ga
30 x 60	799.50	858.46	923.75	956.51	1037.38	156.90	12ga/10ga
30 x 66	873.15	935.27	998.74	1062.69	1123.45	172.15	12ga/10ga
30 x 72	945.21	1013.20	1080.30	1146.27	1214.49	188.07	12ga/10ga
36 x 36	433.75	489.55	525.25	562.73	599.34	112.84	12ga/12ga
36 x 42	675.01	726.76	778.26	830.44	881.72	132.15	12ga/10ga
36 x 48	760.19	814.86	870.43	926.23	981.58	150.46	12ga/10ga
36 x 54	845.12	904.77	961.92	1022.69	1082.56	169.77	12ga/10ga
36 x 60	758.13	990.84	1052.52	1113.29	1174.51	188.07	12ga/10ga
36 x 66	1008.69	1082.56	1156.44	1229.86	1303.72	207.04	12ga/10ga

W x H Inches	4"	6"	8"	10"	12"	3/4" Plywood Back	Code Gauge Box/Trim
36 x 72	1098.60	1169.99	1241.37	1312.54	1384.61	226.03	12ga/10ga
36 x 78	1186.25	1257.87	1330.39	1402.68	1474.51	244.67	12ga/10ga
36 x 84	1267.81	1347.77	1425.49	1504.56	1584.98	262.95	12ga/10ga
42 x 42	771.94	825.92	880.37	937.31	992.42	153.51	12ga/10ga
42 x 48	865.91	927.58	985.64	1043.71	1104.24	175.88	12ga/10ga
42 x 54	962.60	1027.43	1090.47	1153.73	1219.70	197.23	12ga/10ga
42 x 60	1059.30	1128.64	1195.52	1261.70	1328.80	220.27	12ga/10ga
42 x 66	1154.86	1227.60	1298.07	1369.24	1442.21	241.61	12ga/10ga
42 x 72	1253.13	1327.90	1402.68	1477.23	1552.01	262.95	12ga/10ga
42 x 78	1340.55	1419.84	1499.37	1578.43	1657.96	286.01	12ga/10ga
42 x 84	1444.48	1527.20	1610.29	1693.19	1780.17	307.36	12ga/10ga
42 x 90	1543.42	1627.90	1713.98	1801.18	1887.48	329.03	12ga/10ga
42 x 96	1636.94	1727.08	1817.66	1900.36	1997.72	350.40	12ga/10ga
48 x 48	973.00	1036.93	1098.60	1162.31	1226.01	200.62	10ga/10ga
48 x 54	1080.98	1147.17	1212.91	1281.82	1348.69	217.21	10ga/10ga
48 x 60	1187.83	1260.13	1331.28	1402.68	1472.03	250.76	10ga/10ga
48 x 66	1296.94	1373.08	1444.69	1520.15	1598.76	276.17	10ga/10ga
48 x 72	1404.94	1485.14	1560.13	1642.59	1721.66	300.23	10ga/10ga
48 x 78	1511.55	1593.58	1678.96	1760.97	1842.52	325.64	10ga/10ga
48 x 84	1620.68	1709.47	1791.92	1880.48	1968.81	350.40	10ga/10ga
48 x 90	1727.08	1822.19	1908.72	2000.65	2094.86	375.81	10ga/10ga
48 x 96	1840.25	1933.57	2027.77	2118.81	2215.96	401.22	10ga/10ga
54 x 54	1200.93	1269.62	1341.90	1411.94	1483.10	254.84	10ga/10ga
54 x 60	1319.53	1394.77	1469.55	1543.42	1618.43	282.63	10ga/10ga
54 x 66	1439.73	1518.57	1599.67	1678.06	1760.06	309.05	10ga/10ga
54 x 72	1560.13	1643.04	1725.73	1809.09	1888.39	338.53	10ga/10ga
54 x 78	1679.64	1763.01	1850.20	1933.57	2023.03	367.67	10ga/10ga
54 x 84	1799.59	1888.39	1974.67	2066.62	2157.66	396.47	10ga/10ga
54 x 90	1919.56	2013.08	2107.74	2202.17	2297.96	421.89	10ga/10ga
54 x 96	2037.26	2133.49	2227.93	2327.33	2427.40	450.69	10ga/10ga
60 x 60	1446.28	1527.25	1605.09	1682.81	1763.01	313.12	10ga/10ga
60 x 66	1617.74	1662.70	1742.22	1825.35	1905.78	347.01	10ga/10ga
60 x 72	1709.47	1793.51	1887.02	1970.16	2052.85	375.81	10ga/10ga
60 x 78	1842.52	1932.88	2016.93	2112.71	2201.49	409.36	10ga/10ga
60 x 84	1971.07	2066.62	2161.73	2260.42	2355.34	438.83	10ga/10ga
60 x 90	2098.92	2199.23	2340.89	2395.32	2494.72	472.05	10ga/10ga
60 x 96	2240.36	2342.46	2438.92	2542.40	2646.99	500.85	10ga/10ga

NOTE: PLEASE SPECIFY SURFACE OR FLUSH TYPE AND IF PLYWOOD BACK IS REQUIRED.

Construction: Manufactured from steel conforming to the National Electric Code. Meets NEMA Type 1 requirements. Listed by Underwriters Laboratories, Inc.
 Door & Trim Assembly: Secured to the box flange with machine screws and can be detached in one piece.
 Continuous concealed hinges. Furnished without knockouts.
 Flush Covers: Dimensions are 2 inches wider and 2 inches higher than overall box dimensions.
 Hardware: Single door units have a panelboard type latch when the height dimension of the door opening is 36" or less. Tee handle furnished on single doors and double doors where the height dimension of the door opening is over 36" up to 48" high. Vault handle furnished on all single and double door cabinets where the height dimension of the door opening is over 48" high.
 Standard Finish: Gray baked powder coat finish. Galvanized available. Consult factory.



To determine door opening of surface and flush telephone cabinets:

1. Determine gauge of trim from right hand column (above).
 2. 14 gauge trim – deduct 3 1/2" from overall height of surface mount size. 12 gauge trim – deduct 5 1/2" (except 12" cabinet width only deduct – 3 1/2").
- 10 gauge trim – deduct 7 1/2".
 Note: 2 door type is supplied when box width is 30" or more.

Mass Electrical Apparatus

Manufacturers of Quality Electrical Enclosures



ACCESS DOORS

Access doors are typically used to cover openings in walls and ceilings. They are designed for use where water, coolant, oil, and excessive dirt are absent or where protection from such factors is not a consideration.

Note: Access Doors are not fire rated.

Construction: 12 or 14 gauge steel and supplied with a continuous hinge. Screw driver type 1/4 turn latches are standard; one per door on 14 gauge; two per door on 12 gauge.

Finish: Gray baked powder coat finish.

Cylinder locks may be substituted for latches. Add "CL" at end of catalog number and add \$18.75 List Price per lock.

Other sizes available upon request. Consult factory for pricing.

OVERALL Size W x H	DOOR SIZE W x H	GA.	CATALOG NUMBER	LIST PRICE
12 x 12	9 x 9	14	MEAAD1212	85.50
12 x 16	9 x 13	14	MEAAD1216	104.50
18 x 18	15 x 15	14	MEAAD1818	133.00
16 x 20	13 x 17	14	MEAAD1620	152.00
24 x 24	19 x 19	12	MEAAD2424	209.00
24 x 30	19 x 25	12	MEAAD2430	256.50
30 x 30	25 x 25	12	MEAAD3030	289.75
24 x 36	19 x 31	12	MEAAD2436	299.25
30 x 36	25 x 31	12	MEAAD3036	375.25
36 x 36	31 x 31	12	MEAAD3636	418.00

REPLACEMENT PANELS FOR JIC AND JIC NEMA 4

SIZE	CATALOG NUMBER	APP. WGT.	LIST PRICE
Fits 4 x 6 box	MEAJ4P6	1/4lb.	2.64
Fits 6 x 6 box	MEAJ6P6	1/2lb.	3.10
Fits 6 x 8 box	MEAJ6P8	3/4lb.	3.55
Fits 6 x 12 box	MEAJ6P12	1 1/4lb.	4.56
Fits 8 x 8 box	MEAJ8P8	1 lb.	4.15
Fits 8 x 10 box	MEAJ8P10	1 1/4lb.	5.06
Fits 8 x 14 box	MEAJ8P14	2 lb.	6.30
Fits 10 x 10 box	MEAJ10P10	1 1/2lb.	5.74
Fits 10 x 12 box	MEAJ10P12	2 lb.	6.57
Fits 10 x 16 box	MEAJ10P16	3 lb.	8.46
Fits 12 x 12 box	MEAJ12P12	2 1/2lb.	7.75
Fits 12 x 14 box	MEAJ12P14	3 lb.	8.64
Fits 14 x 16 box	MEAJ14P16	4 lb.	11.43

Mass Electrical Apparatus

Manufacturers of Quality Electrical Enclosures

WEATHERPROOF GASKETED SCREW COVER BOXES

Our screw cover weatherproof gasketed boxes are typically used outdoors where they may be subjected to harsh weather conditions such as rain, snow, ice, etc. They may also be used indoors where environmental factors may possibly affect wiring and controls.



Stainless Steel screws fasten the cover to the body.
Meets NEMA Type 3, 3R and Type 12 (if ordered with mounting tabs).

W x H Inches	DEPTH						Code Gauge
	3"	4"	6"	8"	10"	12"	
6 x 6	45.18	49.63	68.90				16
6 x 8	49.70	57.61	74.55				16
6 x 9	52.18	60.33	77.48				16
6 x 12	59.87	64.32	86.52				16
8 x 8	55.13	60.60	80.66	97.81			16
8 x 10	61.45	69.36	87.20	105.27			16
8 x 12	67.77	75.46	93.76	111.82			16
9 x 9	61.45	69.36	87.20	100.99			16
9 x 12	70.03	79.07	97.14	115.89			16
10 x 10	66.86	72.42	94.21	112.50	161.53		16
10 x 12	72.30	82.24	101.20	119.96	169.65		16
10 x 16	82.24	92.41	112.50	131.25	182.08		16
10 x 18	91.71	101.88	122.66	143.23	193.83		16
12 x 12	79.98	84.88	103.58	128.10	184.34	203.99	16
12 x 16	94.66	104.83	125.16	144.80	202.41	223.03	16
12 x 18	104.83	115.22	137.13	157.23	221.64	236.53	16
12 x 24	126.73	138.26	161.07	183.45	242.86	265.90	16
12 x 30	152.94	167.17	194.50	221.62	286.45	313.79	16
12 x 36	175.99	191.35	220.71	250.54	316.73	346.77	16
16 x 16	105.73	116.57	138.26	158.81	230.20	246.91	16
16 x 18	118.38	129.22	150.91	173.28	241.27	263.19	16

W x H Inches	DEPTH						Code Gauge
	3"	4"	6"	8"	10"	12"	
16 x 24	142.32	153.84	176.66	200.84	270.87	294.14	16
16 x 30	174.17	188.41	216.42	245.57	320.57	348.57	16
16 x 36	200.60	215.53	246.02	276.96	353.33	384.50	16
18 x 18	130.58	142.32	165.82	188.41	265.90	288.94	16
18 x 24	164.91	179.60	206.93	234.04	316.49	344.74	16
18 x 30	194.96	209.19	238.79	268.61	353.33	383.59	16
18 x 36	224.11	239.92	271.31	303.63	390.15	421.11	16
24 x 24	200.60	215.29	245.11	274.48	378.18	407.77	14
24 x 30	235.86	252.11	283.30	315.82	421.78	447.97	14
24 x 36	272.22	288.94	322.37	356.26	464.03	498.59	14
24 x 40	295.73	313.34	348.12	383.59	493.39	522.31	14
24 x 48	415.00	438.05	482.77	527.50	645.89	691.29	14
30 x 30	277.19	294.81	328.48	362.59	488.42	529.30	14
30 x 36	386.09	407.77	450.47	491.36	625.10	668.02	12
30 x 42	438.05	460.64	505.82	549.19	687.22	731.95	12
30 x 48	490.90	513.72	561.84	608.37	748.89	797.01	12
36 x 36	445.27	468.31	512.15	557.33	712.29	758.15	12
36 x 42	549.19	599.79	652.88	707.55	870.43	924.88	12
36 x 48	625.10	670.73	726.76	784.36	951.30	1007.10	12
48 x 48	765.16	823.66	908.38	972.76	1183.09	1239.79	10

WEATHERPROOF GASKETED SCREW COVER TROUGH (Made to Order)



Our screw cover weatherproof gasketed trough are typically used outdoors, and can be exposed to harsh weather conditions such as rain, snow, sleet, ice, etc.

They may also be used indoors where protection from environmental factors is needed.

SIZE	2 1/2 x 2 1/2		4 x 4		6 x 6		8 x 8		10 x 10		12 x 12	
	Cat. No.	List Price	Cat. No.	List Price	Cat. No.	List Price	Cat. No.	List Price	Cat. No.	List Price	Cat. No.	List Price
1 Foot	MEAWPT21	71.38	MEAWPT41	101.88	MEAWPT61	158.14	MEAWPT81	211.22	MEAWPT101	269.51	MEAWPT121	317.19
2 Feet	MEAWPT22	83.36	MEAWPT42	115.89	MEAWPT62	172.61	MEAWPT82	246.02	MEAWPT102	319.67	MEAWPT122	374.10
3 Feet	MEAWPT23	98.05	MEAWPT43	133.74	MEAWPT63	191.57	MEAWPT83	281.48	MEAWPT103	363.50	MEAWPT123	431.27
4 Feet	MEAWPT24	110.02	MEAWPT44	148.65	MEAWPT64	214.16	MEAWPT84	300.24	MEAWPT104	410.03	MEAWPT124	488.19
5 Feet	MEAWPT25	129.22	MEAWPT45	161.98	MEAWPT65	235.16	MEAWPT85	334.80	MEAWPT105	457.02	MEAWPT125	545.36

Construction: Made of galvanized steel in gauges conforming to the National Electrical Code. Furnished without knockouts.
Finish: Boxes and troughs are regularly supplied unpainted except for welded areas, which are treated with cold galvanizing compound.

Gray baked powder coat finish also available.
Seams are continuously welded and ground smooth.
Stainless screws fasten cover to the body.
Gaskets are permanently cemented to the cover.

Mass Electrical Apparatus

Manufacturers of Quality Electrical Enclosures

WEATHERPROOF GASKETED HINGED COVER BOXES



Weatherproof Gasketed Hinged Cover Enclosures: Cabinets through 18" high are supplied with stainless steel holdowns (Top and Bottom), and hasps and staples. Handles with 3 point catches, hasps and staples are standard hardware on all other sizes. Single door is standard through 29" wide. Two door is standard 30" wide or more. Dripshield is provided.

W x H Inches	DEPTH						Code Gauge
	3"	4"	6"	8"	10"	12"	
6 x 6	58.74	67.83	89.58				16
6 x 8	64.61	74.90	96.92				16
6 x 9	67.83	78.42	101.08				16
6 x 12	77.83	83.62	112.47				16
8 x 8	71.67	82.83	104.85	127.16			16
8 x 10	79.89	90.17	113.35	136.86			16
8 x 12	88.10	98.09	121.89	145.37			16
9 x 9	79.89	90.17	113.35	131.28			16
9 x 12	91.04	102.79	126.29	150.66			16
10 x 10	86.93	98.97	122.47	146.25	209.99		16
10 x 12	93.97	106.90	131.57	155.93	220.55		16
10 x 16	106.90	120.12	146.25	170.62	236.69		16
10 x 18	119.23	132.45	159.48	186.20	251.97		16
12 x 12	103.98	116.00	141.57	166.53	239.65	265.19	16
12 x 16	123.06	136.28	162.71	188.25	263.13	289.56	16
12 x 18	136.28	149.78	178.28	204.39	275.78	307.49	16
12 x 24	164.75	179.74	209.39	238.47	315.71	345.67	16
12 x 30	198.83	217.33	214.85	288.09	372.39	407.93	16
12 x 36	228.79	248.75	286.94	325.70	411.75	450.80	16
16 x 16	137.45	151.53	179.74	206.46	299.28	321.00	16
16 x 18	153.89	167.99	196.18	225.26	313.66	342.14	16

W x H Inches	DEPTH						Code Gauge
	3"	4"	6"	8"	10"	12"	
16 x 24	185.02	199.98	229.67	261.09	352.13	382.38	16
16 x 30	226.42	244.93	281.34	319.24	416.75	453.16	16
16 x 36	260.78	280.18	319.83	360.05	459.33	499.85	16
18 x 18	169.75	185.02	215.56	244.93	345.67	375.63	16
18 x 24	214.40	233.47	269.01	304.25	411.45	448.15	16
18 x 30	253.45	271.95	310.43	349.20	459.33	498.66	16
18 x 36	291.35	311.89	352.71	394.73	507.20	547.43	16
24 x 24	260.78	279.88	318.64	356.83	491.63	530.10	14
24 x 30	306.62	327.75	368.29	410.56	548.31	582.37	14
24 x 36	353.89	375.63	419.09	463.14	603.23	648.17	14
24 x 40	384.44	407.34	452.56	498.66	641.40	678.99	14
24 x 48	539.50	569.46	627.60	685.75	839.64	898.67	14
*30 x 30	360.35	383.26	427.03	471.37	634.94	688.10	14
*30 x 36	501.90	530.10	585.62	638.76	825.03	868.43	12
*30 x 42	569.46	598.82	657.56	713.93	893.39	951.54	12
*30 x 48	638.17	667.84	730.39	790.89	973.56	1036.12	12
*36 x 36	578.84	608.80	665.79	724.53	925.98	985.59	12
*36 x 42	713.93	779.73	848.75	919.83	1131.56	1202.35	12
*36 x 48	812.63	871.96	944.78	1019.66	1236.69	1309.23	12
*48 x 48	994.71	1070.75	1180.89	1264.58	1538.02	1611.73	10

* 2 Door unit (all others are single door)

CONSTRUCTION: Manufactured from galvanized steel in gauges conforming to the National Electrical Code. Made without knockouts.

SEAMS are continuously welded and ground smooth. Cover is fastened the body with stainless steel screws. **GASKETS** are permanently cemented to the cover. External mounting feet are available at an extra charge.

FINISH: Gray baked powder coat, except 10 gauge units which are furnished in plain galvanized steel with all welded areas treated with cold galvanizing compound.

Meets NEMA Type 3, 3R, and type 12 (if ordered with external mounting tabs).

Mass Electrical Apparatus

Manufacturers of Quality Electrical Enclosures

SMALL NEMA TYPE 1 ENCLOSURES



Our Small NEMA Type 1 enclosure is built for indoor use in areas that do not require oil-tight and dust-tight requirements in an enclosure.

Small NEMA Type 1 Less Panel

W x H x D	Catalog Number	App. Wgt.	List Price
6x 6 x 4	MEAN1-664	3 lbs.	30.07
6 x 8 x 4	MEAN1-684	4 lbs.	33.11
8x 8 x 4	MEAN1-884	5 lbs.	37.05
8 x 10 x 4	MEAN1-8104	6 lbs.	40.28
10 x 10 x 4	MEAN1-10104	7 lbs.	44.54
10 x 12 x 4	MEAN1-10124	8 lbs.	48.40
12 x 12 x 4	MEAN1-12124	9 lbs.	54.23
12 x 14 x 4	MEAN1-12144	10 lbs.	57.57
6 x 6 x 6	MEAN1-666	4 lbs.	37.05
6 x 8 x 6	MEAN1-686	5 lbs.	37.95
8 x 8 x 6	MEAN1-886	6 lbs.	42.70
8 x 10 x 6	MEAN1-8106	7 lbs.	45.03
10 x 10 x 6	MEAN1-10106	8 lbs.	49.92
10 x 12 x 6	MEAN1-10126	10 lbs.	54.72
12 x 12 x 6	MEAN1-12126	11 lbs.	61.13
12 x 14 x 6	MEAN1-12146	13 lbs.	65.22
12 x 20 x 6	MEAN1-12206	16 lbs.	80.64
14 x 16 x 6	MEAN1-14166	15 lbs.	78.26
12 x 12 x 8	MEAN1-12128	12 lbs.	67.23
12 x 14 x 8	MEAN1-12148	15 lbs.	72.85

Optional Panels

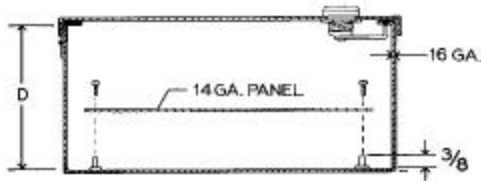
Use With	Panel Size	Catalog Number	App. Wgt.	List Price
6x6	4 1/4x 4 1/4	MEAN1-6P6	1/2lb.	2.69
6 x 8	4 1/4x 6 1/4	MEAN1-6P8	3/4lb.	3.22
8 x 8	6 1/4x 6 1/4	MEAN1-8P8	1 lb.	3.76
8 x 10	6 1/4x 8 1/4	MEAN1-8P10	1 1/4lb.	4.62
10 x 10	8 1/4x 8 1/4	MEAN1-10P10	1 1/2lb.	5.15
10 x 12	8 1/4x 10 1/4	MEAN1-10P12	1 3/4lb.	5.91
12 x 12	10 1/4x 10 1/4	MEAN1-12P12	2 lb.	7.10
12 x 14	10 1/4x 12 1/4	MEAN1-12P14	3 lb.	7.95
12 x 20	10 1/4x 18 1/4	MEAN1-12P20	4 lb.	11.16
14 x 16	12 1/4x 14 1/4	MEAN1-14P16	4 lb.	11.26

Construction: Manufactured from 16 gauge steel. Supplied with panels made of 14 gauge steel mounted on studs.
 (4) - Mounting holes (1/4") are provided in the back of all cabinets.
 Butt hinges and screwdriver latches are supplied as standard hardware.

Finish: gray baked powder coat inside and out. Panels are white baked powder coat finish.

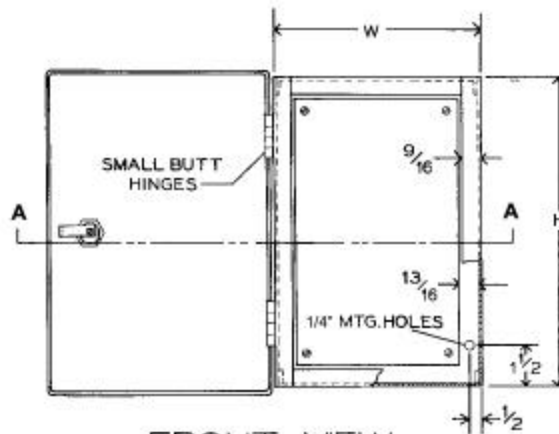
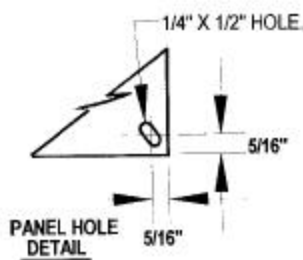
Meets NEMA Type 1 requirements.

Listed by Underwriters Laboratories, Inc.



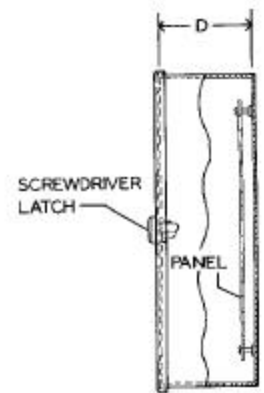
SECTION A - A

(DOOR CLOSED)



FRONT VIEW

(DOOR OPEN)



RIGHT SIDE

Mass Electrical Apparatus

Manufacturers of Quality Electrical Enclosures

MEDIUM NEMA TYPE 1 ENCLOSURES



Our Medium NEMA Type 1 enclosure is built for indoor use in areas that do not require oil-tight and dust-tight requirements in an enclosure.

MEDIUM NEMA TYPE1 INCLUDING PANEL

W x H x D	Catalog Number	Panel Size	Panel Ga.	App. Wgt.	List Price
12 x 16 x 6 5/8	MEAN1-12166	10 1/2x 13	14	21 lbs.	118.41
16 x 16 x 6 5/8	MEAN1-16166	14 1/2x 13	14	27 lbs.	133.23
16 x 20 x 6 5/8	MEAN1-16206	14 1/2x 17	14	31 lbs.	150.20
20 x 20 x 6 5/8	MEAN1-20206	18 1/2x 17	14	37 lbs.	170.41
16 x 24 x 6 5/8	MEAN1-16246	14 1/2x 21	14	36 lbs.	165.46
20 x 24 x 6 5/8	MEAN1-20246	18 1/2x 21	14	43 lbs.	183.26
24 x 24 x 6 5/8	MEAN1-24246	22 1/2x 21	12	56 lbs.	206.06
20 x 30 x 6 5/8	MEAN1-20306	18 1/2x 26	12	57 lbs.	211.14
24 x 30 x 6 5/8	MEAN1-24306	22 1/2x 26	12	67 lbs.	235.13
24 x 36 x 6 5/8	MEAN1-24366	22 1/2x 32	12	78 lbs.	271.23
30 x 36 x 6 5/8	MEAN1-30366	28 1/2x 32	12	95 lbs.	310.84
12 x 16 x 8 5/8	MEAN1-12168	10 1/2x 13	14	23 lbs.	128.93
16 x 16 x 8 5/8	MEAN1-16168	14 1/2x 13	14	27 lbs.	148.28
16 x 20 x 8 5/8	MEAN1-16208	14 1/2x 17	14	35 lbs.	167.39
20 x 20 x 8 5/8	MEAN1-20208	18 1/2x 17	14	40 lbs.	186.30
20 x 24 x 8 5/8	MEAN1-20248	18 1/2x 21	14	48 lbs.	203.29
24 x 24 x 8 5/8	MEAN1-24248	22 1/2x 21	12	58 lbs.	223.01
20 x 30 x 8 5/8	MEAN1-20308	18 1/2x 26	12	63 lbs.	228.71
24 x 30 x 8 5/8	MEAN1-24308	22 1/2x 26	12	74 lbs.	254.03
30 x 30 x 8 5/8	MEAN1-30308	28 1/2x 26	12	96 lbs.	294.50
24 x 36 x 8 5/8	MEAN1-24368	22 1/2x 32	12	87 lbs.	291.65
30 x 36 x 8 5/8	MEAN1-30368	28 1/2x 32	12	104 lbs.	333.69
24 x 42 x 8 5/8	MEAN1-24428	22 1/2x 38	12	98 lbs.	321.96
20 x 24 x 10 5/8	MEAN1-202410	18 1/2x 21	14	51 lbs.	212.99
24 x 24 x 10 5/8	MEAN1-242410	22 1/2x 21	12	71 lbs.	246.05
24 x 30 x 10 5/8	MEAN1-243010	22 1/2x 26	12	81 lbs.	277.21
30 x 36 x 10 5/8	MEAN1-303610	28 1/2x 32	12	114 lbs.	356.60
24 x 24 x 12 5/8	MEAN1-242412	22 1/2x 21	12	72 lbs.	252.70
24 x 30 x 12 5/8	MEAN1-243012	22 1/2x 26	12	83 lbs.	289.85
30 x 36 x 12 5/8	MEAN1-303612	28 1/2x 32	12	120 lbs.	376.68

Construction: Manufactured with 14 ga. steel and supplied with a 14 or 12 ga. panel mounted on collar studs.

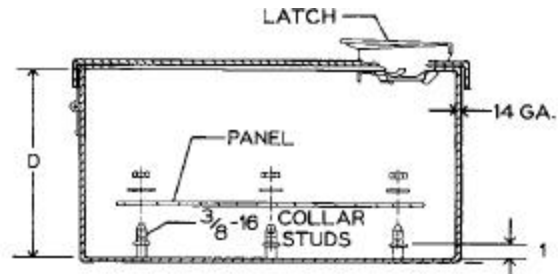
1/4' Mounting holes are provided on the back of all cabinets.

Finish: Gray baked powder coat finish inside and out. Panels are white baked powder coat finish.

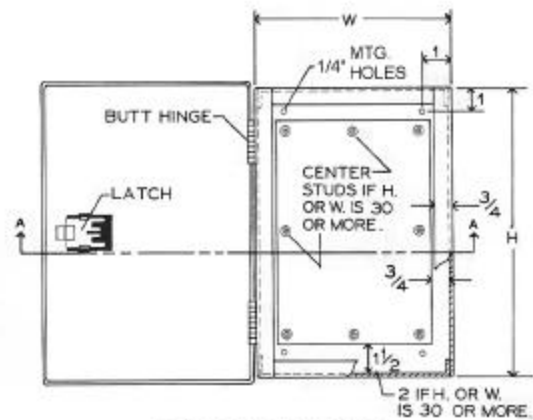
Meets NEMA Type 1 requirements.

Listed by Underwriters Laboratories, Inc.

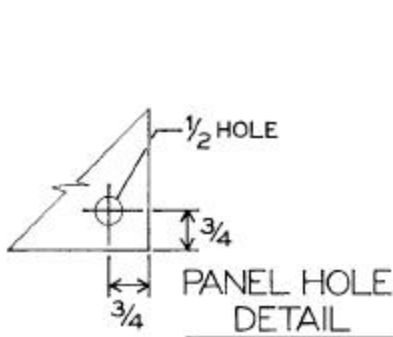
Note: Other sizes available. Consult factory for prices.



SECTION A - A
(DOOR CLOSED)



FRONT VIEW
(DOOR OPEN)



RIGHT SIDE

Mass Electrical Apparatus

Manufacturers of Quality Electrical Enclosures

EXTRA LARGE NEMA TYPE 1 ENCLOSURES



Our extra large NEMA Type 1 enclosure is designed for general use where oil, coolant, water and dirt are absent or not an adverse factor in the operation of the electrical components.

EXTRA LARGE NEMA TYPE1 ENCLOSURE WITH PANEL

W x H x D	Catalog Number	Panel Size	App. Wgt.	List Price
30 x 42 x 9	MEAN1-30429	27 x 39	131	482.13
36 x 42 x 9	MEAN1-36429	33 x 39	146	551.00
36 x 48 x 9	MEAN1-36489	33 x 45	161	614.65
30 x 42 x 11	MEAN1-304211	27 x 39	154	505.54
36 x 42 x 11	MEAN1-364211	33 x 39	170	578.55
36 x 48 x 11	MEAN1-364811	33 x 45	184	640.54
30 x 42 x 13	MEAN1-304213	27 x 39	160	530.34
36 x 42 x 13	MEAN1-364213	33 x 39	177	607.48
36 x 48 x 13	MEAN1-364813	33 x 45	192	672.22
36 x 48 x 17	MEAN1-364817	33 x 45	209	730.08

Construction: Manufactured from 14 ga. steel with 12 ga. panel mounted on collar studs.

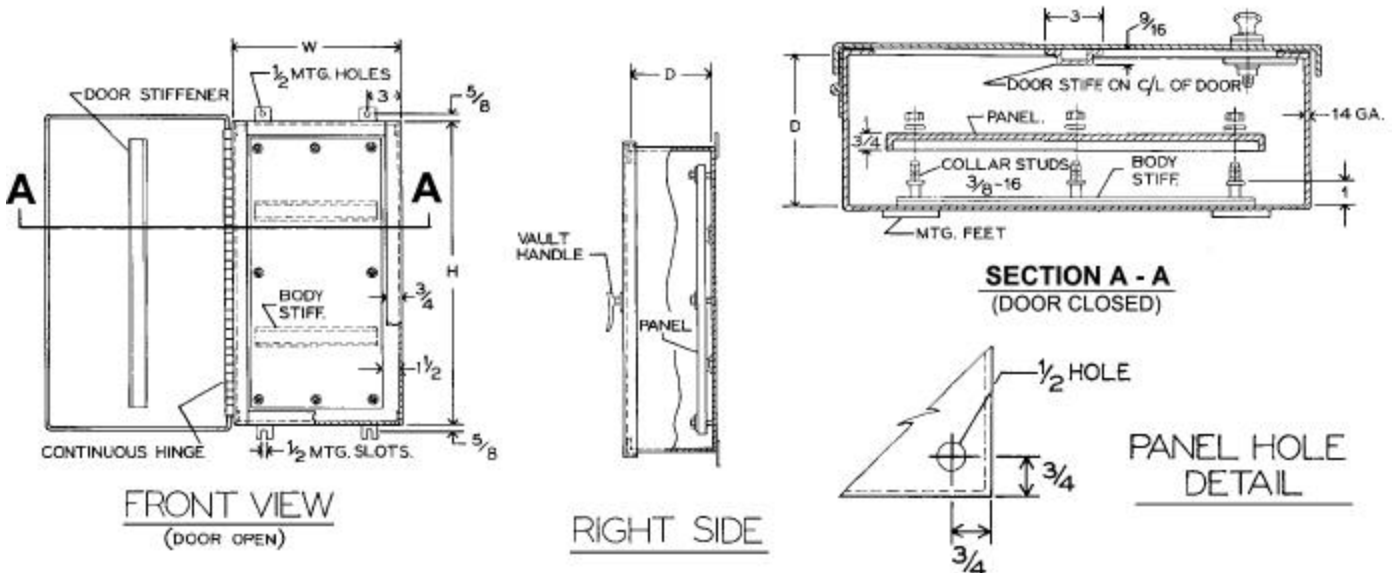
Supplied standard with external mounting feet.

Stiffeners are supplied on the body and door for extra rigidity. Continuous hinges and non-locking handles are standard hardware.

Finish: Gray baked powder coat finish inside and out. Panels are white baked powder coat finish.

Meets NEMA Type 1 requirements.
Listed by Underwriters Laboratories, Inc.

Note: Other sizes available. Consult factory for prices.



Mass Electrical Apparatus

Manufacturers of Quality Electrical Enclosures

EXTRA LARGE PUSH-BUTTON ENCLOSURES

HINGED COVER WITH PANEL

These enclosures are typically used to accept all standard brands of oil-tight push-buttons, pilot lights, and switches. They provide protection from oil, water, dirt and dust. Extra space of 2 1/2" is provided between buttons.



Cat. No.	No. of Holes	Enclosure Size W X H X D	Panel Size W X H	App. Wgt.	List Price
MEAPBH4	4	7 1/2 X 8 1/2 X 6	5 1/2 X 6 1/2	9	80.34
MEAPBH6	6	7 1/2 X 11 X 6	5 1/2 X 9	11	92.01
MEAPBH9	9	10 X 11 X 6	8 X 9	13	107.44
MEAPBH12	12	10 X 13 1/2 X 6	8 X 11 1/2	15	121.70
MEAPBH16	16	12 1/2 X 13 1/2 X 6	10 1/2 X 11 1/2	18	139.01
MEAPBH20	20	12 1/2 X 16 X 6	10 1/2 X 14	21	155.65
MEAPBH25	25	15 X 16 X 6	13 X 14	23	175.28
MEAPBH30	30	15 X 18 1/2 X 6	13 X 16 1/2	26	193.99
MEAPBH36	36	17 1/2 X 18 1/2 X 6	15 1/2 X 16 1/2	29	215.86
MEAPBH42	42	17 1/2 X 21 X 6	15 1/2 X 19	33	236.62

Also available with blank covers. Add "BC" to end of catalog number.

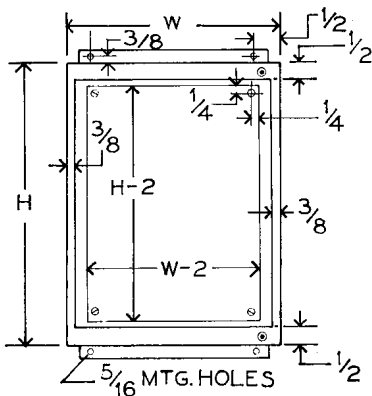
Construction: 14 gauge steel. All seams are continuously welded and ground smooth.

Covers have a continuous hinge and an oil resistant neoprene gasket.

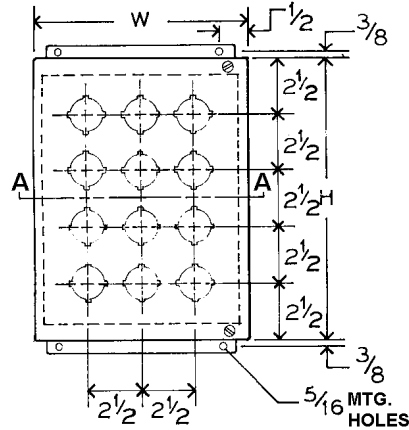
Captivated cover screws thread into sealed wells. External mounting straps are standard. Panels mount on weldnuts within cabinet.

Finish: Gray baked powder coat finish.

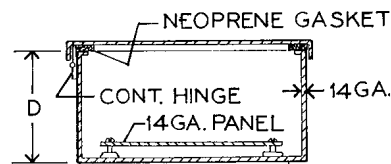
Meets standards for JIC, NEMA Type 12, and Type 13 Enclosures.



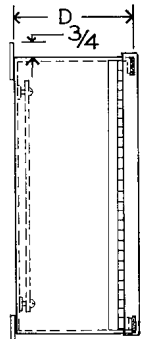
FRONT VIEW
[DOOR REMOVED]



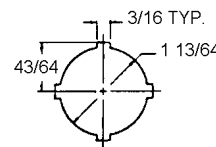
FRONT VIEW



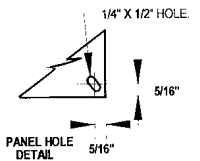
SECTION A - A



LEFT SIDE

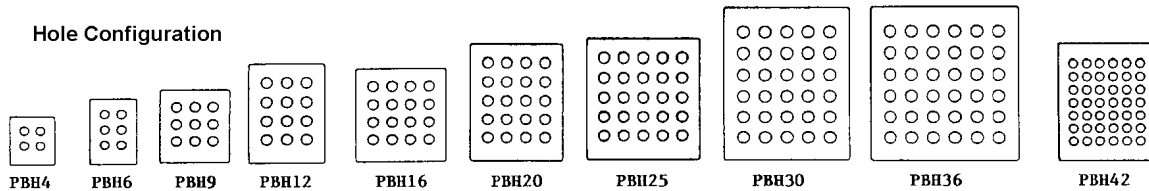


STANDARD 4-WAY KEYED
PUSHBUTTON HOLE DETAIL



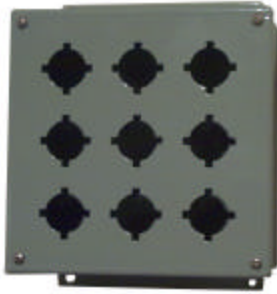
PANEL HOLE
DETAIL

Hole Configuration



Mass Electrical Apparatus

Manufacturers of Quality Electrical Enclosures



STANDARD PUSH-BUTTON ENCLOSURES

Push-button enclosures will accept all standard brands of oil-tight push-buttons, pilot lights, and switches. These enclosures are typically used when protection from oil, water, dirt and dust is needed.

Cat. No.	No. of Holes	Enclosure Size W X H X D	App. Wgt.	List Price
MEAPB1	1	3 1/4 X 3 1/2 X 2 3/4	1	33.58
MEAPB2	2	3 1/4 X 5 3/4 X 2 3/4	2	38.70
MEAPB3	3	3 X 1/4 X 8 X 2 3/4	3	43.45
MEAPB4V	4	3 1/4 X 10 1/4 X 2 3/4	3	48.28
MEAPB4	4	6 1/4 X 7 1/4 X 3	4	53.82
MEAPB5	5	3 1/4 X 12 1/2 X 2 3/4	4	53.07
MEAPB6V	6	3 1/4 X 14 3/4 X 2 3/4	5	57.99
MEAPB6	6	6 1/4 X 9 1/2 X 3	5	61.31
MEAPB8	8	3 1/4 X 20 1/4 X 2 3/4	6	69.72
MEAPB9	9	8 1/2 X 9 1/2 X 3	6	71.33
MEAPB10	10	3 1/4 X 24 3/4 X 2 3/4	7	79.33
MEAPB12	12	8 1/2 X 11 3/4 X 3	7	80.53
MEAPB16	16	10 3/4 X 11 3/4 X 3	9	92.43
MEAPB20	20	10 3/4 X 14 X 3	11	107.65
MEAPB25	25	13 X 14 X 3	13	123.09

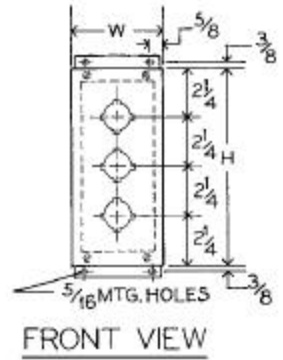
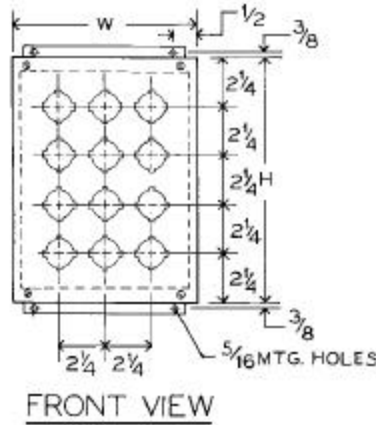
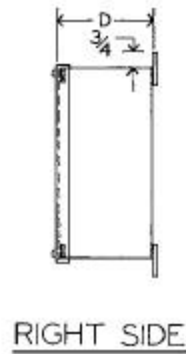
Construction: Manufactured from 14 gauge steel. All seams are continuously welded and ground smooth.

External mounting straps and an oil resistant neoprene gasket are standard.

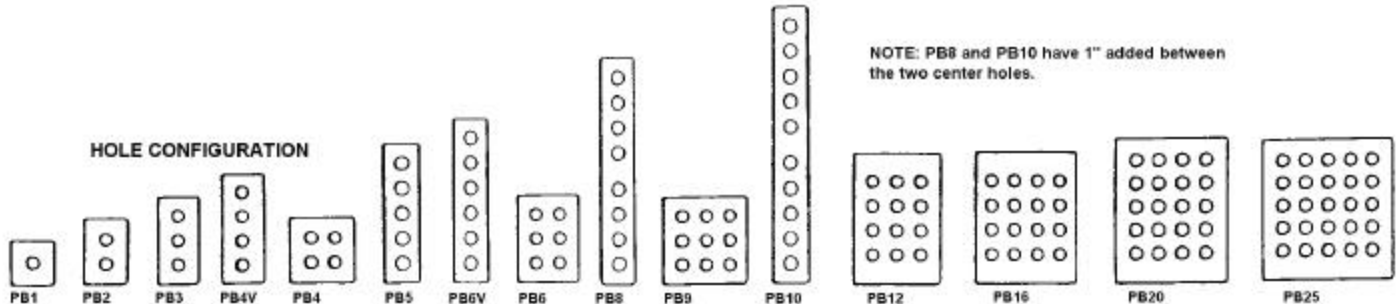
Covers are held in place by captivated screws threaded into sealed wells.

Finish: Gray baked powder coat finish.

Meets standards for JIC, NEMA Type 12, and Type 13 Enclosures.



NOTE: TO ORDER WITH BLANK COVERS, ADD "BC" TO END OF CATALOG NUMBER.



Mass Electrical Apparatus

Manufacturers of Quality Electrical Enclosures



STAINLESS STEEL PUSH-BUTTON ENCLOSURES

Stainless steel push-button enclosures are designed to hold all standard brands of oil-tight push-buttons, pilot lights and switches. They are typically used in areas that may be regularly hosed down or are otherwise very wet, and may also be used in areas where a serious corrosion problem exists.

Cat. No.	No. of Holes	Enclosure Size W X H X D	App. Wgt.	List Price
MEAPB1SS	1	3 1/4 X 3 1/2 X 2 3/4	1	92.90
MEAPB2SS	2	3 1/4 X 5 3/4 X 2 3/4	2	109.47
MEAPB3SS	3	3 1/4 X 8 X 2 3/4	3	126.41
MEAPB4VSS	4	3 1/4 X 10 1/4 X 2 3/4	3	143.19
MEAPB4SS	4	6 1/4 X 7 1/4 X 3	4	161.47
MEAPB5SS	5	3 1/4 X 12 1/2 X 2 3/4	4	159.20
MEAPB6VSS	6	3 1/4 X 14 3/4 X 2 3/4	5	179.78
MEAPB6SS	6	6 1/4 X 9 1/2 X 3	5	189.91
MEAPB8SS	8	3 1/4 X 20 1/4 X 2 3/4	6	214.43
MEAPB9SS	9	8 1/2 X 9 1/2 X 3	6	225.33
MEAPB10SS	10	3 1/4 X 24 3/4 X 2 3/4	7	242.59
MEAPB12SS	12	8 1/2 X 11 3/4 X 3	7	256.35
MEAPB16SS	16	10 3/4 X 11 3/4 X 3	9	348.83
MEAPB20SS	20	10 3/4 X 14 X 3	11	431.03
MEAPB25SS	25	13 X 14 X 3	13	493.85

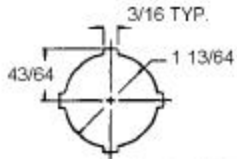
Construction: Manufactured from 14 gauge Type 304 stainless steel, with all seams continuously welded and ground smooth.

Covers are held in place by stainless steel captivated screws threaded into sealed wells.

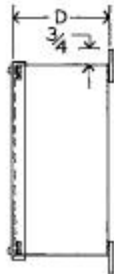
External mounting straps and an oil resistant neoprene gasket are standard.

Finish: Cabinets are unpainted with entire exterior to have a smooth brushed finish.

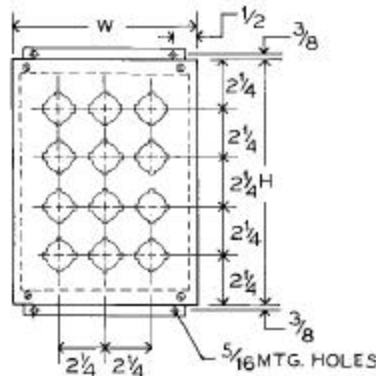
Meets standards for JIC, NEMA Type 12, and Type 13 Enclosures.



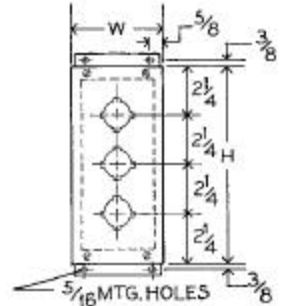
STANDARD 4-WAY KEYED
PUSHBUTTON HOLE DETAIL



RIGHT SIDE

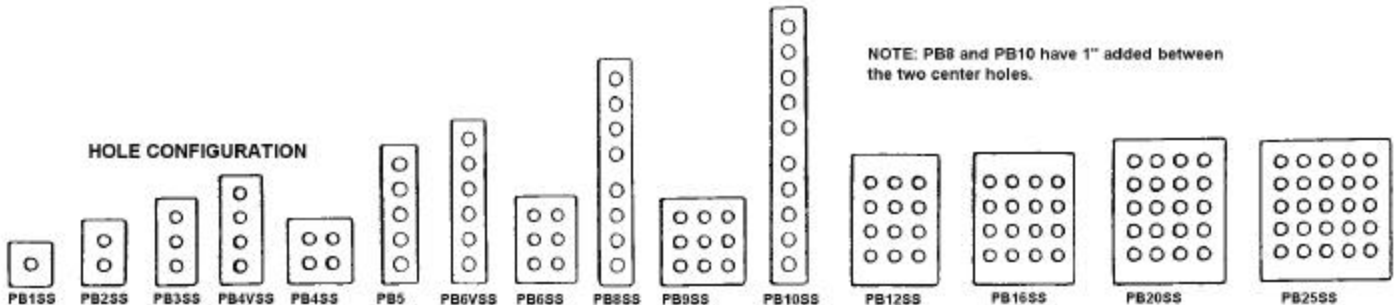


FRONT VIEW



FRONT VIEW

NOTE: TO ORDER WITH BLANK COVERS,
ADD "BC" TO END OF CATALOG NUMBER.



Mass Electrical Apparatus

Manufacturers of Quality Electrical Enclosures

NEMA TYPE 3R TROUGHS & CABINETS (NON GASKETED RAINPROOF TYPE)



Our rainproof NEMA type 3R enclosures and trough are designed for outdoor use to protect wiring from rain, sleet and snow.



RAINPROOF CABINETS

W x H x D	CATALOG NUMBER	APP. WGT.	GA.	LIST PRICE
6 x 6 x 4	MEARPS664	4 LBS.	16	18.31
6 x 8 x 4	MEARPS684	5 LBS.	16	20.97
8 x 8 x 4	MEARPS884	6 LBS.	16	24.14
8 x 10 x 4	MEARPS8104	7 LBS.	16	26.87
10 x 10 x 4	MEARPS10104	8 LBS.	16	32.02
8 x 12 x 4	MEARPS8124	8 LBS.	16	32.02
12 x 12 x 4	MEARPS12124	10 LBS.	16	42.98
8 x 8 x 6	MEARPS886	7 LBS.	16	26.87
8 x 10 x 6	MEARPS8106	8 LBS.	16	34.16
10 x 10 x 6	MEARPS10106	9 LBS.	16	35.45
8 x 12 x 6	MEARPS8126	9 LBS.	16	41.69
10 x 12 x 6	MEARPS10126	10 LBS.	16	44.70
12 x 12 x 6	MEARPS12126	13 LBS.	16	50.07
12 x 15 x 6	MEARPS12156	14 LBS.	16	53.72
12 x 18 x 6	MEARPS12186	16 LBS.	16	63.61
15 x 18 x 6	MEARPS15186	19 LBS.	16	85.60
18 x 18 x 6	MEARPS18186	22 LBS.	16	103.12
15 x 24 x 6	MEARPS15246	27 LBS.	16	114.12
18 x 24 x 6	MEARPS18246	31 LBS.	16	125.95

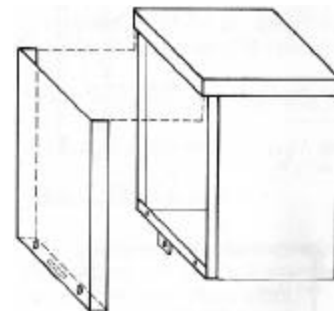
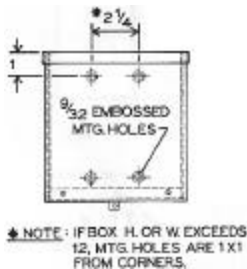
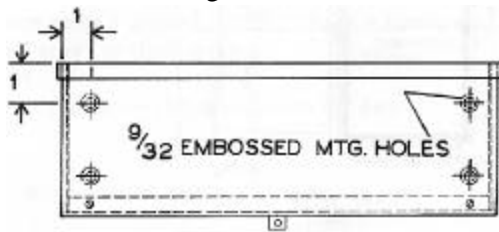
RAINPROOF TROUGH

W x H x D	CATALOG NUMBER	APP. WGT.	GA.	LIST PRICE
4 x 4 - 1'	MEARPT41	5 LBS.	16	33.08
4 x 4 - 2'	MEARPT42	9 LBS.	16	46.95
4 x 4 - 3'	MEARPT43	14 LBS.	16	60.90
4 x 4 - 4'	MEARPT44	18 LBS.	16	74.72
4 x 4 - 5'	MEARPT45	22 LBS.	16	88.59
6 x 6 - 1'	MEARPT61	8 LBS.	16	56.52
6 x 6 - 2'	MEARPT62	15 LBS.	16	68.54
6 x 6 - 3'	MEARPT63	19 LBS.	16	94.77
6 x 6 - 4'	MEARPT64	26 LBS.	16	130.06
6 x 6 - 5'	MEARPT65	32 LBS.	16	142.90
8 x 8 - 1'	MEARPT81	13 LBS.	14	98.20
8 x 8 - 2'	MEARPT82	22 LBS.	14	113.24
8 x 8 - 3'	MEARPT83	31 LBS.	14	131.30
8 x 8 - 4'	MEARPT84	40 LBS.	14	164.82
8 x 8 - 5'	MEARPT85	49 LBS.	14	198.35

Construction: Manufactured from code gauge galvanized steel. A slip-on removable cover is provided with screws along the bottom edge for easy access. Units are constructed with a drip shield type cap, with seam free front, back and sides which prevent rain, sleet and snow from entering. Embossed mounting holes are standard. NOT provided with gasketing. A provision for padlock or utility seal is furnished in bottom of cabinets and troughs.

Finish: Gray baked powder coat finish. Cabinets conform to our interpretation of NEMA standards.

Note: For larger size NEMA type 3R not listed on this page, refer to weatherproof gasketed screw and hinge cover boxes and troughs which also meet NEMA type 3R requirements.



Mass Electrical Apparatus

Manufacturers of Quality Electrical Enclosures



JIC OIL TIGHT CABINETS (SMALL NEMA TYPE 12)



Oil Tight JIC (Small NEMA type 12) cabinets are designed to provide protection from dust, dirt, oil and water. They are typically used as junction boxes, instrument and control enclosures, and terminal boxes.

Continuous hinge type including panel

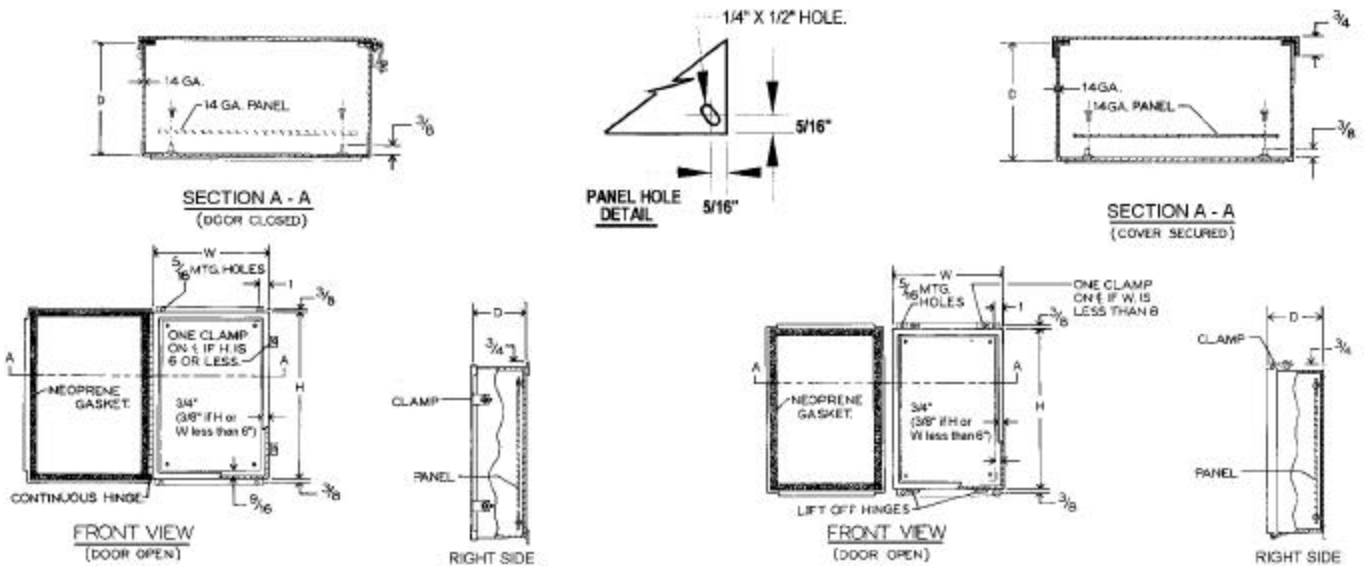
W x H x D	CATALOG NUMBER	GA.	PANEL SIZE	APP. WGT.	LIST PRICE
4 x 4 x 3	MEAJ443CH	14	NONE	2 LBS.	29.24
4 x 4 x 4	MEAJ 444CH	14	NONE	2 1/4 LBS.	30.57
4 x 6 x 3	MEAJ 463CH	14	2 3/4x 4 3/4	2 1/2 LBS.	36.15
4 x 6 x 4	MEAJ 464CH	14	2 3/4x 2 3/4	2 3/4 LBS.	38.22
6 x 6 x 4	MEAJ 664CH	14	4 3/4x 4 3/4	4 1/2 LBS.	42.40
6 x 8 x 3 1/2	MEAJ 683CH	14	4 3/4x 6 3/4	5 LBS.	48.10
8 x 8 x 4	MEAJ 884CH	14	6 3/4x 6 3/4	7 LBS.	50.17
8 x 10 x 4	MEAJ 8104CH	14	6 3/4x 8 3/4	9 LBS.	55.39
6 x 12 x 4	MEAJ 6124CH	14	4 3/4x 10 3/4	8 LBS.	53.42
6 x 8 x 6	MEAJ 686CH	14	4 3/4x 6 3/4	8 LBS.	50.30
8 x 10 x 6	MEAJ 8106CH	14	6 3/4x 8 3/4	12 LBS.	61.78
10 x 10 x 6	MEAJ 10106CH	14	8 3/4x 8 3/4	14 LBS.	68.28
10 x 12 x 5	MEAJ 10125CH	14	8 3/4x 10 3/4	13 LBS.	71.93
12 x 12 x 6	MEAJ 12126CH	14	10 3/4x 10 3/4	17 LBS.	82.47
8 x 14 x 6	MEAJ 8146CH	14	6 3/4x 12 3/4	12 LBS.	73.11
12 x 14 x 6	MEAJ 12146CH	14	10 3/4x 12 3/4	20 LBS.	89.85
10 x 16 x 6	MEAJ 10166CH	14	8 3/4x 14 3/4	18 LBS.	88.16
14 x 16 x 6	MEAJ 14166CH	14	12 3/4x 14 3/4	24 LBS.	106.94
10 x 12 x 8	MEAJ 10128CH	14	8 3/4x 10 3/4	17 LBS.	82.68
12 x 14 x 8	MEAJ 12148CH	14	10 3/4x 12 3/4	22 LBS.	99.04
14 x 16 x 8	MEAJ 14168CH	14	12 3/4x 14 3/4	27 LBS.	117.59
14 x 16 x 10	MEAJ 141610CH	14	12 3/4x 14 3/4	30 LBS.	128.39

Lift-off type including panel

W x H x D	CATALOG NUMBER	GA.	PANEL SIZE	APP. WGT.	LIST PRICE
4 x 4 x 3	MEAJ 443LO	14	NONE	2 LBS.	27.22
4 x 4 x 4	MEAJ 444 LO	14	NONE	2 1/4 LBS.	28.52
4 x 6 x 3	MEAJ 463LO	14	2 3/4x 4 3/4	2 1/2 LBS.	34.13
4 x 6 x 4	MEAJ 464LO	14	2 3/4x 4 3/4	2 3/4 LBS.	36.19
6 x 6 x 4	MEAJ 664LO	14	4 3/4x 4 3/4	4 1/2 LBS.	40.26
6 x 8 x 3 1/2	MEAJ 683LO	14	4 3/4x 6 3/4	5 LBS.	46.06
8 x 8 x 4	MEAJ 884LO	14	6 3/4x 6 3/4	7 LBS.	49.22
8 x 10 x 4	MEAJ 8104LO	14	6 3/4x 8 3/4	9 LBS.	52.99
6 x 12 x 4	MEAJ 6124LO	14	4 3/4x 10 3/4	8 LBS.	52.47
6 x 8 x 6	MEAJ 686LO	14	4 3/4x 6 3/4	8 LBS.	49.35
8 x 10 x 6	MEAJ 8106LO	14	6 3/4x 8 3/4	12 LBS.	60.83
10 x 10 x 6	MEAJ 10106LO	14	8 3/4x 8 3/4	14 LBS.	67.33
10 x 12 x 5	MEAJ 10106LO	14	8 3/4x 10 3/4	13 LBS.	69.00
12 x 12 x 6	MEAJ 12125LO	14	10 3/4x 10 3/4	17 LBS.	81.52
8 x 14 x 6	MEAJ 8146LO	14	6 3/4x 12 3/4	12 LBS.	72.16
12 x 14 x 6	MEAJ 12146LO	14	10 3/4x 12 3/4	20 LBS.	85.95
10 x 16 x 6	MEAJ 10166LO	14	8 3/4x 14 3/4	18 LBS.	87.21
14 x 16 x 6	MEAJ 14166LO	14	12 3/4x 14 3/4	24 LBS.	102.36
10 x 12 x 8	MEAJ 10128LO	14	8 3/4x 10 3/4	17 LBS.	81.73
12 x 14 x 8	MEAJ 12148LO	14	10 3/4x 12 3/4	22 LBS.	98.09
14 x 16 x 8	MEAJ 14168LO	14	12 3/4x 14 3/4	27 LBS.	116.64
14 x 16 x 10	MEAJ 141610LO	14	12 3/4x 14 3/4	30 LBS.	127.44

Construction: JIC oil tight cabinets are fabricated of 14 ga steel. Panels are 14 ga steel and mount on weldnuts within cabinet. Covers are gasketed and cemented with an oil resistant adhesive. External mounting straps are provided. Cabinets conform to our interpretation of JIC standards.

Lift-off type JIC cabinets are supplied with lift-off type hinges and external screw clamps. Finish: Gray baked powder coat finish. Panels are white baked powder coat finish. Note: We can make many sizes not shown. Consult factory for prices.



Mass Electrical Apparatus

Manufacturers of Quality Electrical Enclosures



JIC OIL TIGHT CABINETS (SMALL NEMA TYPE 12) CONTINUED

Screw Cover Type including panel

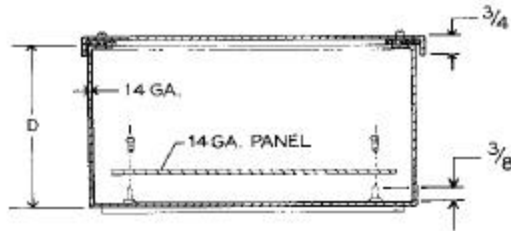
Construction: Manufactured from 14 ga steel. Panels are 14 ga steel and mount on weldnuts within cabinet.

External mounting straps are provided.
Covers are gasketed and cemented with an oil resistant adhesive.

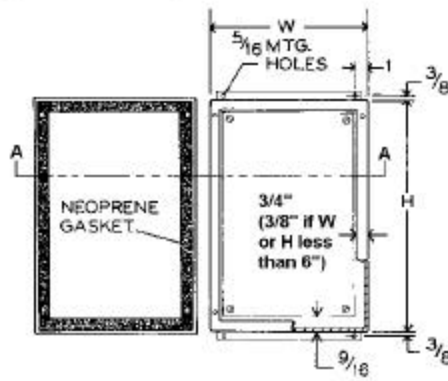
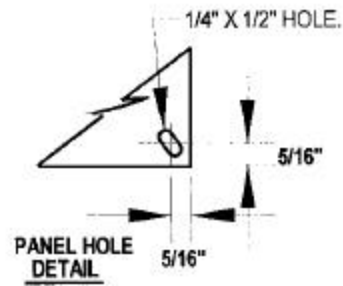
Supplied with stainless steel gasketed screws.
Finish: Gray baked powder coat finish. Panels are baked powder coat finish.

Seams are continuously welded and ground smooth.
Cabinets conform to our interpretation of JIC standards.
Note: Other sizes available. Consult factory for prices.

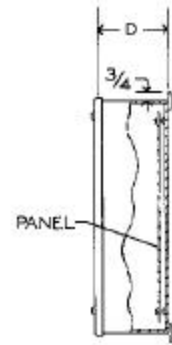
W x H x D	CATALOG NUMBER	GA.	PANEL SIZE	APP. WGT.	LIST PRICE
4 x 4 x 3	MEAJ443SC	14	NONE	2 LBS.	31.14
4 x 4 x 4	MEAJ 444SC	14	NONE	2 ¼ LBS.	32.47
4 x 6 x 3	MEAJ 463SC	14	2 ¾x 4 ¾	2 ¼ LBS.	38.05
4 x 6 x 4	MEAJ 464SC	14	2 ¾x 2 ¾	2 ¾ LBS.	40.12
6 x 6 x 4	MEAJ 664SC	14	4 ¾x 4 ¾	4 ¼ LBS.	44.30
6 x 8 x 3 ½	MEAJ 683SC	14	4 ¾x 6 ¾	5 LBS.	50.00
8 x 8 x 4	MEAJ 884SC	14	6 ¾x 6 ¾	7 LBS.	52.07
8 x 10 x 4	MEAJ 8104SC	14	6 ¾x 8 ¾	9 LBS.	57.29
6 x 12 x 4	MEAJ 6124SC	14	4 ¾x 10 ¾	8 LBS.	56.27
6 x 8 x 6	MEAJ 686SC	14	4 ¾x 6 ¾	8 LBS.	52.20
8 x 10 x 6	MEAJ 8106SC	14	6 ¾x 8 ¾	12 LBS.	63.68
10 x 10 x 6	MEAJ 10106SC	14	8 ¾x 8 ¾	14 LBS.	70.18
10 x 12 x 5	MEAJ 10125SC	14	8 ¾x 10 ¾	13 LBS.	73.83
12 x 12 x 6	MEAJ 12126SC	14	10 ¾x 10 ¾	17 LBS.	84.37
8 x 14 x 6	MEAJ 8146SC	14	6 ¾x 12 ¾	12 LBS.	75.96
12 x 14 x 6	MEAJ 12146SC	14	10 ¾x 12 ¾	20 LBS.	92.70
10 x 16 x 6	MEAJ 10166SC	14	8 ¾x 14 ¾	18 LBS.	91.01
14 x 16 x 6	MEAJ 14166SC	14	12 ¾x 14 ¾	24 LBS.	109.79
10 x 12 x 8	MEAJ 10128SC	14	8 ¾x 10 ¾	17 LBS.	85.53
12 x 14 x 8	MEAJ 12148SC	14	10 ¾x 12 ¾	22 LBS.	101.89
14 x 16 x 8	MEAJ 14168SC	14	12 ¾x 14 ¾	27 LBS.	120.44
14 x 16 x 10	MEAJ 141610SC	14	12 ¾x 14 ¾	30 LBS.	131.24



SECTION A - A
(COVER SECURED)



FRONT VIEW
(COVER OPEN)



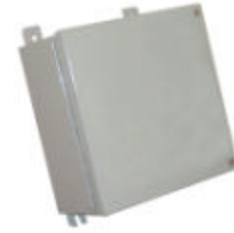
RIGHT SIDE

Mass Electrical Apparatus

Manufacturers of Quality Electrical Enclosures

LARGE OIL TIGHT JIC CABINETS

Large oil tight JIC cabinets are typically used to house electrical controls, terminals and instruments requiring protection from water, dust, oil and dirt.



Construction: Manufactured from 14 ga steel with 12 ga panels mounted on 3/8" collar studs. All seams are continuously welded and ground smooth.

Print pocket is provided.

External legs for mounting are standard.

Door is secured by a continuous hinge along one side, and gasketed stainless steel screws along opposite side. The door is also provided with a neoprene gasket on all sides.

Stiffeners are supplied on the body and door on larger sizes for extra rigidity.

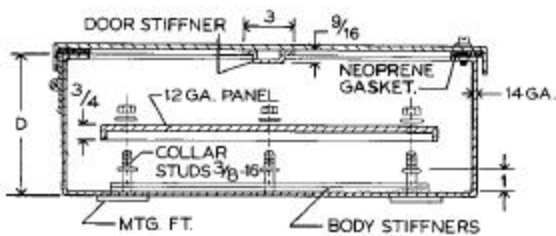
Finish: Gray baked powder coat finish. Print pocket and removable panel are white baked powder coat finish.

Cabinets conform to our interpretation of JIC and NEMA standards.

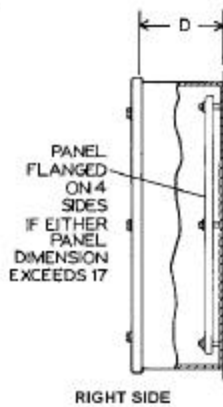
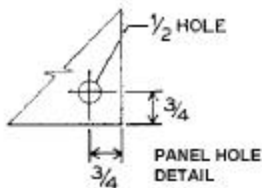
Other sizes available. Consult factory.

LARGE OIL TIGHT JIC CABINET WITH PANEL

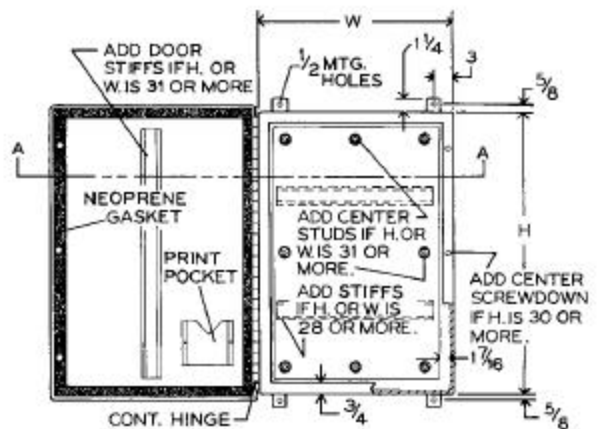
W x H x D	Panel Size	Catalog No. W/Panel	App. Wgt.	List Price W/Panel
16 x 20 x 7	12 3/4x 16 3/4	MEAJ16207	38	178.03
20 x 20 x 7	16 3/4x 16 3/4	MEAJ20207	45	199.50
20 x 24 x 7	16 3/4x 20 3/4	MEAJ20247	54	224.53
24 x 24 x 7	20 3/4x 20 3/4	MEAJ24247	63	247.95
20 x 30 x 7	16 3/4x 26 3/4	MEAJ20307	65	254.84
24 x 30 x 7	20 3/4x 26 3/4	MEAJ24307	77	290.46
24 x 36 x 7	20 3/4x 32 3/4	MEAJ24367	90	330.13
16 x 20 x 9	12 3/4x 16 3/4	MEAJ16209	42	189.05
20 x 20 x 9	16 3/4x 16 3/4	MEAJ20209	45	213.75
20 x 24 x 9	16 3/4x 20 3/4	MEAJ20249	60	236.93
24 x 24 x 9	20 3/4x 20 3/4	MEAJ24249	67	266.95
20 x 30 x 9	16 3/4x 26 3/4	MEAJ20309	70	268.61
24 x 30 x 9	20 3/4x 26 3/4	MEAJ24309	85	306.38
24 x 36 x 9	20 3/4x 32 3/4	MEAJ24369	100	348.18
30 x 36 x 9	26 3/4x 32 3/4	MEAJ30369	120	408.03
30 x 42 x 9	26 3/4x 38 3/4	MEAJ30429	137	447.45
36 x 42 x 9	32 3/4x 38 3/4	MEAJ36429	164	493.15
24 x 24 x 11	20 3/4x 20 3/4	MEAJ242411	72	312.08
24 x 36 x 11	20 3/4x 32 3/4	MEAJ243611	104	367.08
36 x 48 x 11	32 3/4x 44 3/4	MEAJ364811	204	603.25
24 x 30 x 13	20 3/4x 26 3/4	MEAJ243013	91	340.10
30 x 36 x 13	26 3/4x 32 3/4	MEAJ303613	134	449.35



SECTION A - A
(DOOR CLOSED)



RIGHT SIDE



FRONT VIEW
(DOOR OPEN)

Mass Electrical Apparatus

Manufacturers of Quality Electrical Enclosures

JIC OIL TIGHT WIRING TROUGH (LIFT-OFF TYPE COVER)



FULLY ENCLOSED WITH SOLID ENDS

JIC oil tight lift-off wiring troughs are typically used where protection from water, dust, dirt, coolant, oil, etc is needed.

JIC WIRING TROUGH (LIFT-OFF COVER)			
SIZE	CATALOG NUMBER	APP. WEIGHT	LIST PRICE
2 1/2x 2 1/2 12"	MEAJ2212	3 lbs.	56.05
2 1/2x 2 1/2 18"	MEAJ2218	5 lbs.	60.31
2 1/2x 2 1/2 24"	MEAJ2224	6 lbs.	64.63
2 1/2x 2 1/2 30"	MEAJ2230	9 lbs.	68.95
2 1/2x 2 1/2 36"	MEAJ2236	10 lbs.	73.27
2 1/2x 2 1/2 48"	MEAJ2248	13 lbs.	81.94
2 1/2x 2 1/2 60"	MEAJ2260	16 lbs.	90.54
2 1/2x 2 1/2 72"	MEAJ2272	19 lbs.	103.63
4 x 4 - 12"	MEAJ4412	6 lbs.	66.77
4 x 4 - 18"	MEAJ4418	8 lbs.	75.46
4 x 4 - 24"	MEAJ4424	10 lbs.	84.06
4 x 4 - 30"	MEAJ4430	13 lbs.	92.72
4 x 4 - 36"	MEAJ4436	16 lbs.	101.37
4 x 4 - 48"	MEAJ4448	20 lbs.	118.64
4 x 4 - 60"	MEAJ4460	25 lbs.	135.88
4 x 4 - 72"	MEAJ4472	30 lbs.	153.17
6 x 6 - 12"	MEAJ6612	9 lbs.	79.02
6 x 6 - 18"	MEAJ6618	12 lbs.	91.96
6 x 6 - 24"	MEAJ6624	16 lbs.	104.96
6 x 6 - 30"	MEAJ6630	19 lbs.	117.88
6 x 6 - 36"	MEAJ6636	23 lbs.	130.82
6 x 6 - 48"	MEAJ6648	29 lbs.	156.75
6 x 6 - 60"	MEAJ6660	32 lbs.	182.67
6 x 6 - 72"	MEAJ6672	43 lbs.	208.57

JIC WIRING TROUGH (LIFT-OFF COVER)			
SIZE	CATALOG NUMBER	APP. WEIGHT	LIST PRICE
8 x 8 - 12"	MEAJ8812	13 lbs.	92.72
8 x 8 - 24"	MEAJ8824	23 lbs.	127.21
8 x 8 - 36"	MEAJ8836	32 lbs.	161.81
8 x 8 - 48"	MEAJ8848	40 lbs.	196.37
8 x 8 - 60"	MEAJ8860	49 lbs.	230.88
12 x 12 - 12"	MEAJ121212	21 lbs.	125.71
12 x 12 - 24"	MEAJ121224	34 lbs.	176.21
12 x 12 - 36"	MEAJ121236	49 lbs.	228.00
12 x 12 - 48"	MEAJ121248	60 lbs.	279.82
12 x 12 - 60"	MEAJ121260	73 lbs.	331.65

Construction: Manufactured from 14 gauge steel.

Seams are continuously welded and ground smooth.

External mounting legs are provided.

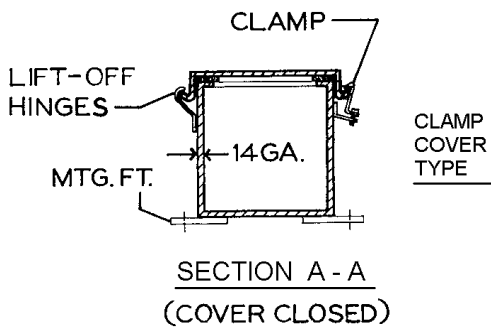
Lift-off type hinges and external screw clamps are standard.

Covers are gasketed and cemented with an oil resistant adhesive. Cover is completely removable.

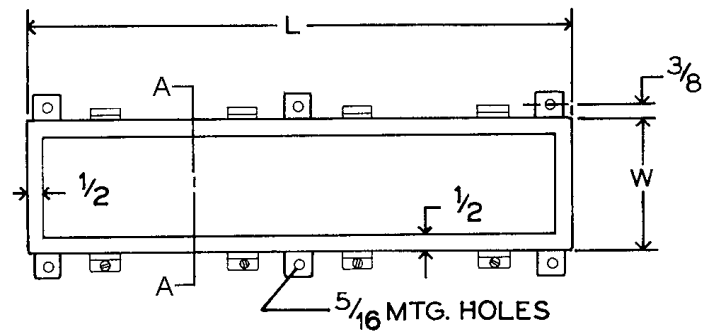
Finish: Gray baked powder coat finish.

Troughs conform to our interpretation of JIC standards.

Note: Other sizes and styles available. Consult factory for pricing.



Note: 8 x 8, 10 x 10 and 12 x 12 sizes have 1/2" mounting holes.



TOP VIEW
(COVER REMOVED)

Mass Electrical Apparatus

Manufacturers of Quality Electrical Enclosures

JIC OIL TIGHT WIRING TROUGH (HINGED TYPE COVER)



FULLY ENCLOSED WITH SOLID ENDS

JIC oil tight hinge cover wiring troughs are typically used where protection from water, dust, dirt, coolant, oil, etc is needed.

JIC WIRING TROUGH (HINGED COVER)			
SIZE	CATALOG NUMBER	APP. WEIGHT	LIST PRICE
2 1/2x 2 1/2 12"	MEAJH2212	3 lbs.	56.05
2 1/2x 2 1/2 18"	MEAJH2218	5 lbs.	60.31
2 1/2x 2 1/2 24"	MEAJH2224	6 lbs.	64.63
2 1/2x 2 1/2 30"	MEAJH2230	9 lbs.	68.95
2 1/2x 2 1/2 36"	MEAJH2236	10 lbs.	73.27
2 1/2x 2 1/2 48"	MEAJH2248	13 lbs.	81.94
2 1/2x 2 1/2 60"	MEAJH2260	16 lbs.	90.54
2 1/2x 2 1/2 72"	MEAJH2272	19 lbs.	103.63
4 x 4 - 12"	MEAJH4412	6 lbs.	66.77
4 x 4 - 18"	MEAJH4418	8 lbs.	75.46
4 x 4 - 24"	MEAJH4424	10 lbs.	84.06
4 x 4 - 30"	MEAJH4430	13 lbs.	92.72
4 x 4 - 36"	MEAJH4436	16 lbs.	101.37
4 x 4 - 48"	MEAJH4448	20 lbs.	118.64
4 x 4 - 60"	MEAJH4460	25 lbs.	135.88
4 x 4 - 72"	MEAJH4472	30 lbs.	153.17
6 x 6 - 12"	MEAJH6612	9 lbs.	79.02
6 x 6 - 18"	MEAJH6618	12 lbs.	91.96
6 x 6 - 24"	MEAJH6624	16 lbs.	104.96
6 x 6 - 30"	MEAJH6630	19 lbs.	117.88
6 x 6 - 36"	MEAJH6636	23 lbs.	130.82
6 x 6 - 48"	MEAJH6648	29 lbs.	156.75
6 x 6 - 60"	MEAJH6660	32 lbs.	182.67
6 x 6 - 72"	MEAJH6672	43 lbs.	208.57

JIC WIRING TROUGH (HINGED COVER)			
SIZE	CATALOG NUMBER	APP. WEIGHT	LIST PRICE
8 x 8 - 12"	MEAJH8812	13 lbs.	92.72
8 x 8 - 24"	MEAJH8824	23 lbs.	127.21
8 x 8 - 36"	MEAJH8836	32 lbs.	161.81
8 x 8 - 48"	MEAJH8848	40 lbs.	196.37
8 x 8 - 60"	MEAJH8860	49 lbs.	230.88
12 x 12 - 12"	MEAJH121212	21 lbs.	125.71
12 x 12 - 24"	MEAJH121224	34 lbs.	176.21
12 x 12 - 36"	MEAJH121236	49 lbs.	228.00
12 x 12 - 48"	MEAJH121248	60 lbs.	279.82
12 x 12 - 60"	MEAJH121260	73 lbs.	331.65

Construction: Manufactured from 14 gauge steel.

Seams are continuously welded and ground smooth.

Covers are gasketed and cemented with an oil resistant adhesive.

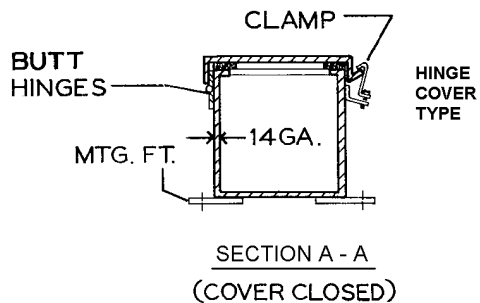
External mounting legs are provided.

Welded butt type hinges and external screw clamps are standard.

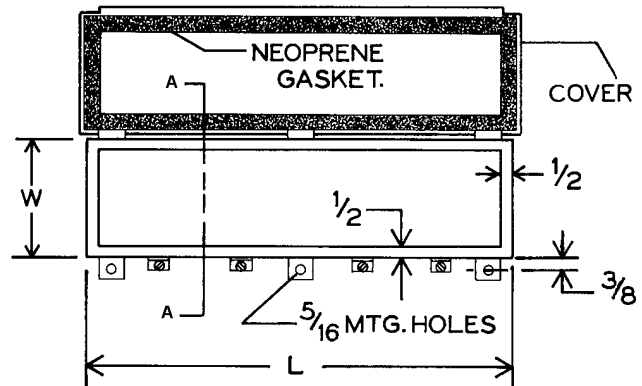
Finish: Gray baked powder coat finish.

Troughs conform to our interpretation of JIC standards.

Note: Other sizes and styles available. Consult factory for pricing.



Note: 8 x 8, 10 x 10 and 12 x 12 sizes have 1/2" mounting holes.



TOP VIEW
(COVER OPEN)

Mass Electrical Apparatus

Manufacturers of Quality Electrical Enclosures



JIC OIL TIGHT CABINETS NEMA TYPE 4



JIC OIL TIGHT TYPE 4 CABINETS are suitable for outdoor use and are typically used in areas that may be regularly hosed down or are otherwise very wet.

Continuous hinge type with panel

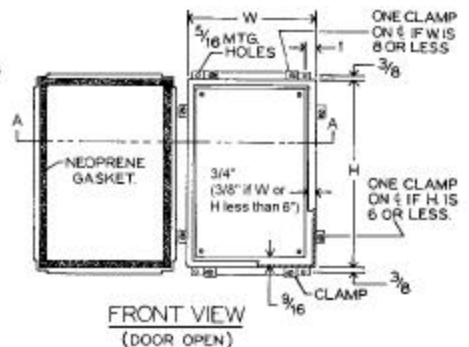
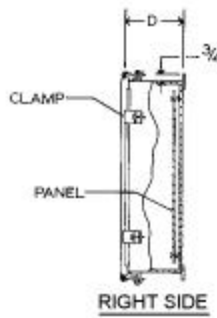
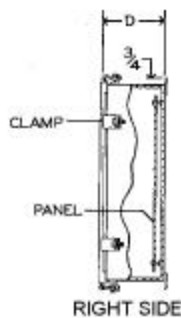
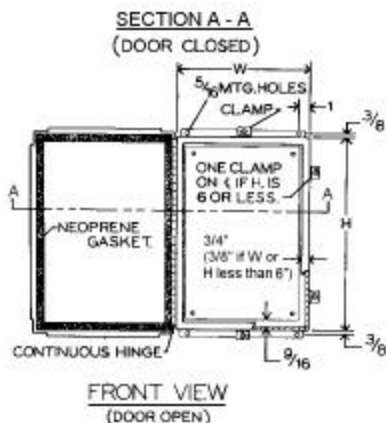
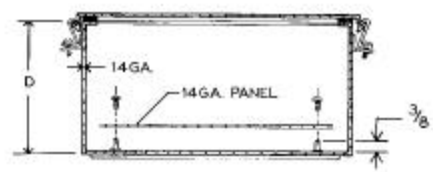
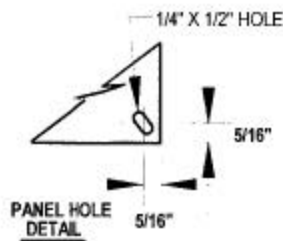
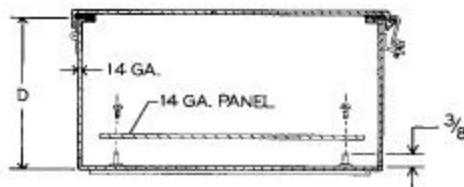
W x H x D	CATALOG NUMBER	GA.	PANEL SIZE	APP. WGT.	LIST PRICE
4 x 4 x 3	MEAJN4-443CH	14	NONE	2 LBS.	40.91
4 x 4 x 4	MEAJN4-444 CH	14	NONE	2 1/4 LBS.	45.13
4 x 6 x 3	MEAJN4-463 CH	14	2 3/4x 4 3/4	2 1/2 LBS.	48.94
4 x 6 x 4	MEAJN4-464 CH	14	2 3/4x 2 3/4	2 3/4 LBS.	51.03
6 x 6 x 4	MEAJN4-664 CH	14	4 3/4x 4 3/4	4 1/2 LBS.	56.94
6 x 8 x 3 1/2	MEAJN4-683 CH	14	4 3/4x 6 3/4	5 LBS.	60.52
8 x 8 x 4	MEAJN4-884 CH	14	6 3/4x 6 3/4	7 LBS.	67.69
8 x 10 x 4	MEAJN4-8104 CH	14	6 3/4x 8 3/4	9 LBS.	75.91
6 x 12 x 4	MEAJN4-6124 CH	14	4 3/4x 10 3/4	8 LBS.	74.96
6 x 8 x 6	MEAJN4-686 CH	14	4 3/4x 6 3/4	8 LBS.	68.88
8 x 10 x 6	MEAJN4-8106 CH	14	6 3/4x 8 3/4	12 LBS.	78.83
10 x 10 x 6	MEAJN4-10106 CH	14	8 3/4x 8 3/4	14 LBS.	96.66
10 x 12 x 5	MEAJN4-10125 CH	14	8 3/4x 10 3/4	13 LBS.	97.13
12 x 12 x 6	MEAJN4-12126 CH	14	10 3/4x 10 3/4	17 LBS.	103.09
8 x 14 x 6	MEAJN4-8146 CH	14	6 3/4x 12 3/4	12 LBS.	100.24
12 x 14 x 6	MEAJN4-12146 CH	14	10 3/4x 12 3/4	20 LBS.	122.73
10 x 16 x 6	MEAJN4-10166 CH	14	8 3/4x 14 3/4	18 LBS.	121.84
14 x 16 x 6	MEAJN4-14166 CH	14	12 3/4x 14 3/4	24 LBS.	145.79
10 x 12 x 8	MEAJN4-10128 CH	14	8 3/4x 10 3/4	17 LBS.	116.56
12 x 14 x 8	MEAJN4-12148 CH	14	10 3/4x 12 3/4	22 LBS.	141.14
14 x 16 x 8	MEAJN4-14168 CH	14	12 3/4x 14 3/4	27 LBS.	163.29
14 x 16 x 10	MEAJN4-141610CH	14	12 3/4x 14 3/4	30 LBS.	182.88

Clamp cover type with panel

W x H x D	CATALOG NUMBER	GA.	PANEL SIZE	APP. WGT.	LIST PRICE
4 x 4 x 3	MEAJN4-443CC	14	NONE	2 LBS.	40.91
4 x 4 x 4	MEAJN4-444CC	14	NONE	2 1/4 LBS.	44.65
4 x 6 x 3	MEAJN4-463CC	14	2 3/4x 4 3/4	2 1/2 LBS.	45.60
4 x 6 x 4	MEAJN4-464CC	14	2 3/4x 4 3/4	2 3/4 LBS.	50.56
6 x 6 x 4	MEAJN4-664CC	14	4 3/4x 4 3/4	4 1/2 LBS.	52.98
6 x 8 x 3 1/2	MEAJN4-683CC	14	4 3/4x 6 3/4	5 LBS.	56.32
8 x 8 x 4	MEAJN4-884CC	14	6 3/4x 6 3/4	7 LBS.	67.21
8 x 10 x 4	MEAJN4-8104CC	14	6 3/4x 8 3/4	9 LBS.	70.57
6 x 12 x 4	MEAJN4-6124CC	14	4 3/4x 10 3/4	8 LBS.	69.62
6 x 8 x 6	MEAJN4-686CC	14	4 3/4x 6 3/4	8 LBS.	68.35
8 x 10 x 6	MEAJN4-8106CC	14	6 3/4x 8 3/4	12 LBS.	77.88
10 x 10 x 6	MEAJN4-10106CC	14	8 3/4x 8 3/4	14 LBS.	90.01
10 x 12 x 5	MEAJN4-10106CC	14	8 3/4x 10 3/4	13 LBS.	90.44
12 x 12 x 6	MEAJN4-12125CC	14	10 3/4x 10 3/4	17 LBS.	102.14
8 x 14 x 6	MEAJN4-8146CC	14	6 3/4x 12 3/4	12 LBS.	99.29
12 x 14 x 6	MEAJN4-12146CC	14	10 3/4x 12 3/4	20 LBS.	114.38
10 x 16 x 6	MEAJN4-10166CC	14	8 3/4x 14 3/4	18 LBS.	113.53
14 x 16 x 6	MEAJN4-14166CC	14	12 3/4x 14 3/4	24 LBS.	132.95
10 x 12 x 8	MEAJN4-10128CC	14	8 3/4x 10 3/4	17 LBS.	108.53
12 x 14 x 8	MEAJN4-12148CC	14	10 3/4x 12 3/4	22 LBS.	131.54
14 x 16 x 8	MEAJN4-14168CC	14	12 3/4x 14 3/4	27 LBS.	148.27
14 x 16 x 10	MEAJN4-141610CC	14	12 3/4x 14 3/4	30 LBS.	166.06

Construction: Manufactured from 14 ga. Galvanized steel. Panels are 14 ga. steel and mount on weldnuts within cabinet. External mounting straps are provided. Seams are continuously welded and ground smooth. Covers are gasketed and cemented with an oil resistant adhesive. Note: Other sizes available. Consult factory.

1. Continuous hinge type has stainless steel screw clamps on three sides of the door. Stainless steel hinge is standard.
2. Clamp cover type is constructed with stainless steel screw clamps on all four sides.
Finish: Gray baked powder coat finish. Panels are white baked powder coat finish.



Mass Electrical Apparatus

Manufacturers of Quality Electrical Enclosures



JIC OIL TIGHT CABINETS NEMA 4X STAINLESS STEEL

Stainless steel NEMA 4X enclosures are designed to house electrical controls in areas which may be regularly hosed down or are otherwise very wet and are suitable for use in areas where a serious corrosion problem may exist. They may be used outdoors, in food processing plants, breweries, dairies, etc.



Continuous hinge type including panel

W x H x D	CATALOG NUMBER	GA	PANEL SIZE	APP. WGT	LIST PRICE
4 x 4 x 3	MEAJN4X443CH	14	NONE	2	106.92
4 x 4 x 4	MEAJN4X444CH	14	NONE	2	118.80
4 x 6 x 3	MEAJN4X463CH	14	2 3/4x 4 3/4	3	130.67
4 x 6 x 4	MEAJN4X464CH	14	2 3/4x 2 3/4	5	137.79
6 x 6 x 4	MEAJN4X664CH	14	4 3/4x 4 3/4	7	154.44
6 x 8 x 3 1/2	MEAJN4X683CH	14	4 3/4x 6 3/4	5	171.07
8 x 8 x 4	MEAJN4X884CH	14	6 3/4x 6 3/4	7	192.44
8 x 10 x 4	MEAJN4X8104CH	14	6 3/4x 8 3/4	9	213.84
6 x 12 x 4	MEAJN4X6124CH	14	4 3/4x 10 3/4	8	213.84
6 x 8 x 6	MEAJN4X686CH	14	4 3/4x 6 3/4	8	197.19
8 x 10 x 6	MEAJN4X8106CH	14	6 3/4x 8 3/4	12	256.59
10 x 10 x 6	MEAJN4X10106CH	14	8 3/4x 8 3/4	14	273.23
10 x 12 x 5	MEAJN4X10125CH	14	8 3/4x 10 3/4	13	313.60
12 x 12 x 6	MEAJN4X12126CH	14	10 3/4x 10 3/4	17	330.26
8 x 14 x 6	MEAJN4X8146CH	14	6 3/4x 12 3/4	12	327.88
12 x 14 x 6	MEAJN4X12146CH	14	10 3/4x 12 3/4	20	361.13
10 x 16 x 6	MEAJN4X10166CH	14	8 3/4x 14 3/4	18	361.13
14 x 16 x 6	MEAJN4X14166CH	14	12 3/4x 14 3/4	24	430.03
10 x 12 x 8	MEAJN4X10128CH	14	8 3/4x 10 3/4	17	342.13
12 x 14 x 8	MEAJN4X12148CH	14	10 3/4x 12 3/4	22	415.78
14 x 16 x 8	MEAJN4X14168CH	14	12 3/4x 14 3/4	27	482.30
14 x 16 x 10	MEAJN4X141610CH	14	12 3/4x 14 3/4	30	541.69

Construction: Manufactured from type 304 stainless steel. Panels are supplied in steel and mount on weldnuts within cabinet.

External mounting straps are provided.

Covers are gasketed and cemented with an oil resistant adhesive.

Finish: Enclosures are unpainted with exterior to have a smooth brushed finish. Panels are white baked powder coat finish.

Clamp cover type including panel

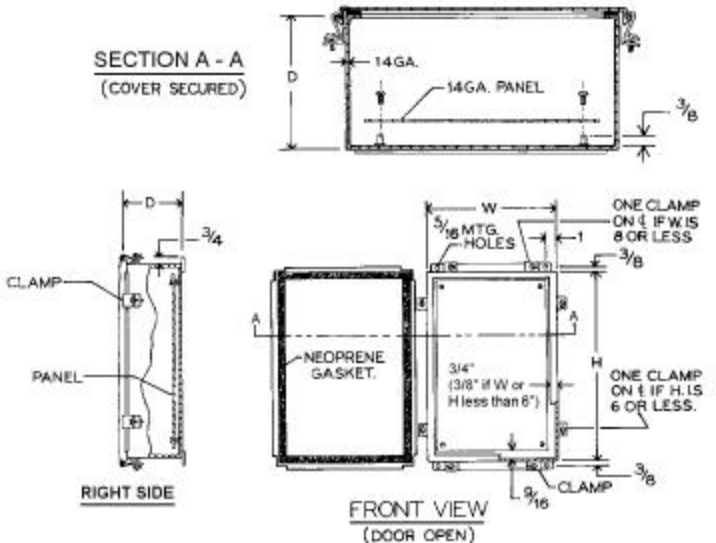
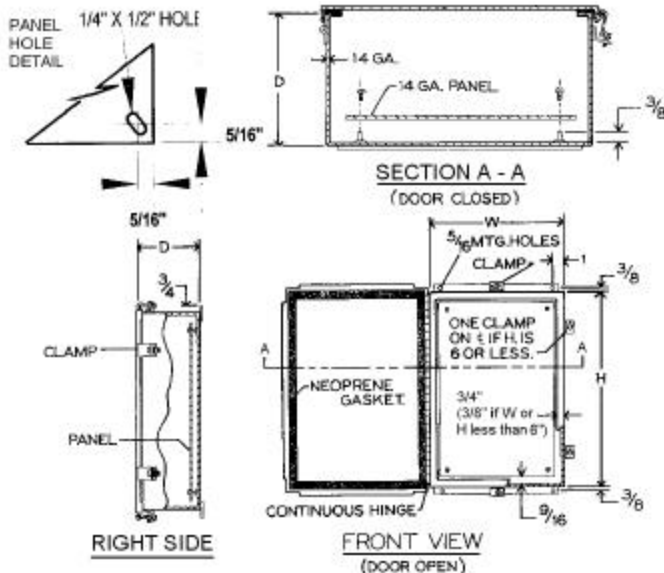
W x H x D	CATALOG NUMBER	GA	PANEL SIZE	APP. WGT	LIST PRICE
4 x 4 x 3	MEAJN4X443CC	14	NONE	2	95.05
4 x 4 x 4	MEAJN4X444 CC	14	NONE	2	104.55
4 x 6 x 3	MEAJN4X463CC	14	2 3/4x 4 3/4	3	118.80
4 x 6 x 4	MEAJN4X464CC	14	2 3/4x 4 3/4	5	130.67
6 x 6 x 4	MEAJN4X664CC	14	4 3/4x 4 3/4	7	140.16
6 x 8 x 3 1/2	MEAJN4X683CC	14	4 3/4x 6 3/4	5	156.82
8 x 8 x 4	MEAJN4X884CC	14	6 3/4x 6 3/4	7	190.07
8 x 10 x 4	MEAJN4X8104CC	14	6 3/4x 8 3/4	9	199.57
6 x 12 x 4	MEAJN4X6124CC	14	4 3/4x 10 3/4	8	199.57
6 x 8 x 6	MEAJN4X686CC	14	4 3/4x 6 3/4	8	194.82
8 x 10 x 6	MEAJN4X8106CC	14	6 3/4x 8 3/4	12	242.34
10 x 10 x 6	MEAJN4X10106CC	14	8 3/4x 8 3/4	14	249.46
10 x 12 x 5	MEAJN4X10106CC	14	8 3/4x 10 3/4	13	285.10
12 x 12 x 6	MEAJN4X12125CC	14	10 3/4x 10 3/4	17	327.88
8 x 14 x 6	MEAJN4X8146CC	14	6 3/4x 12 3/4	12	325.48
12 x 14 x 6	MEAJN4X12146CC	14	10 3/4x 12 3/4	20	346.88
10 x 16 x 6	MEAJN4X10166CC	14	8 3/4x 14 3/4	18	346.88
14 x 16 x 6	MEAJN4X14166CC	14	12 3/4x 14 3/4	24	415.78
10 x 12 x 8	MEAJN4X10128CC	14	8 3/4x 10 3/4	17	311.23
12 x 14 x 8	MEAJN4X12148CC	14	10 3/4x 12 3/4	22	380.13
14 x 16 x 8	MEAJN4X14168CC	14	12 3/4x 14 3/4	27	439.53
14 x 16 x 10	MEAJN4X141610CC	14	12 3/4x 14 3/4	30	494.17

Seams are continuously welded and ground smooth.

Continuous hinge type has stainless steel screw clamps on 3 sides of the door. Stainless steel hinge is standard.

Clamp cover type has stainless steel screw clamps on all 4 sides.

Note: Other sizes available. Consult factory for prices.



Mass Electrical Apparatus

Manufacturers of Quality Electrical Enclosures

STAINLESS STEEL NEMA TYPE 4X WIRING TROUGHS TOTALLY ENCLOSED WITH SOLID ENDS



HINGED COVER TYPE

SIZE	4 x 4		6 x 6		8 x 8		10 x 10		12 x 12	
	CATALOG NUMBER	LIST PRICE	CATALOG NUMBER	LIST PRICE	CATALOG NUMBER	LIST PRICE	CATALOG NUMBER	LIST PRICE	CATALOG NUMBER	LIST PRICE
1 FT.	MEASCT4X-41	237.50	MEASCT4X-61	303.05	MEASCT4X-81	367.65	MEASCT4X-101	433.20	MEASCT4X-121	497.80
2 FT.	MEASCT4X-42	291.65	MEASCT4X-62	389.50	MEASCT4X-82	487.35	MEASCT4X-102	584.25	MEASCT4X-122	682.10
3 FT.	MEASCT4X-43	345.80	MEASCT4X-63	487.35	MEASCT4X-83	627.95	MEASCT4X-103	768.55	MEASCT4X-123	909.15
4 FT.	MEASCT4X-44	399.95	MEASCT4X-64	573.80	MEASCT4X-84	746.70	MEASCT4X-104	920.55	MEASCT4X-124	1093.45
5 FT.	MEASCT4X-45	454.10	MEASCT4X-65	638.40	MEASCT4X-85	822.70	MEASCT4X-105	1007.00	MEASCT4X-125	1201.75
10 FT.	MEASCT4X-410	909.15	MEASCT4X-610	1277.75	MEASCT4X-810	1645.40	MEASCT4X-1010	2014.00	MEASCT4X-1210	2382.60

Construction: Manufactured from 14 gauge Type 304 stainless steel. All seams welded and ground smooth.

External mounting tabs are standard. Covers are supplied with neoprene gasket.

Hinged Cover Type: Stainless steel butt type hinges and stainless steel external screw clamps are standard.

Screw Cover Type: Stainless steel captivated cover screws thread into sealed wells.

Finish: Troughs are unpainted with entire exterior to have a smooth brushed finish.



SCREW COVER TYPE

SIZE	4 x 4		6 x 6		8 x 8		10 x 10		12 x 12	
	CATALOG NUMBER	LIST PRICE	CATALOG NUMBER	LIST PRICE	CATALOG NUMBER	LIST PRICE	CATALOG NUMBER	LIST PRICE	CATALOG NUMBER	LIST PRICE
1 FT.	MEASCT4X-41	237.50	MEASCT4X-61	303.05	MEASCT4X-81	367.65	MEASCT4X-101	433.20	MEASCT4X-121	497.80
2 FT.	MEASCT4X-42	291.65	MEASCT4X-62	389.50	MEASCT4X-82	487.35	MEASCT4X-102	584.25	MEASCT4X-122	682.10
3 FT.	MEASCT4X-43	345.80	MEASCT4X-63	487.35	MEASCT4X-83	627.95	MEASCT4X-103	768.55	MEASCT4X-123	909.15
4 FT.	MEASCT4X-44	399.95	MEASCT4X-64	573.80	MEASCT4X-84	746.70	MEASCT4X-104	920.55	MEASCT4X-124	1093.45
5 FT.	MEASCT4X-45	454.10	MEASCT4X-65	638.40	MEASCT4X-85	822.70	MEASCT4X-105	1007.00	MEASCT4X-125	1201.75
10 FT.	MEASCT4X-410	909.15	MEASCT4X-610	1277.75	MEASCT4X-810	1645.40	MEASCT4X-1010	2014.00	MEASCT4X-1212	2382.60

Mass Electrical Apparatus

Manufacturers of Quality Electrical Enclosures



SINGLE DOOR NEMA TYPE 4 FREE STANDING ENCLOSURES

NEMA Type 4 cabinets are typically used to house electrical controls and instruments in areas that may be regularly hosed down or are otherwise very wet, and are suitable for use indoors or outdoors.

CONSTRUCTION: Manufactured from 12 ga. Galvanized steel with 10 ga. Steel panels mounted on 3/8" collar studs. All seams are welded and ground smooth.

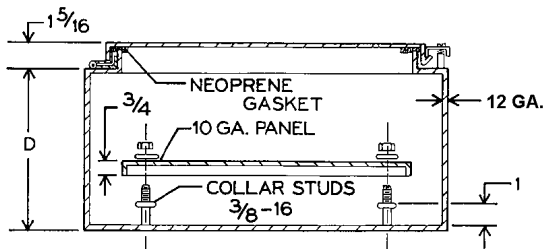
Enclosures are supplied with a hasp and staple for padlocking, neoprene gasket, panel supports and lifting rings.

Stainless steel screws and clamps are provided on three sides of the door. Door is supported by a heavy duty stainless steel continuous hinge. A rolled lip around three sides of door excludes liquids and contaminants.

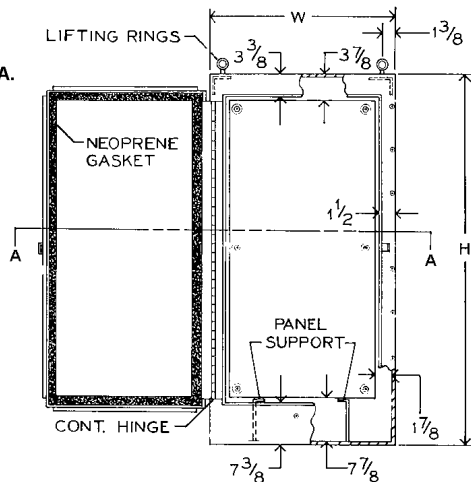
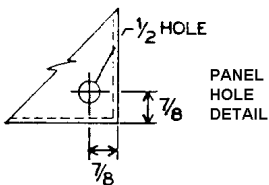
Finish: Gray baked powder coat finish inside and out. Panels are white baked powder coat finish.

Note: Dripshields are recommended for outdoor applications.

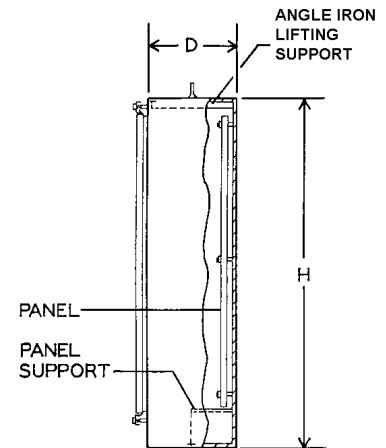
W x H x D	Panel Size	Catalog No. W/Panel	App. Wgt.	List Price W/Panel
24 x 60 x 18	20 x 48	MEASN4-246018F	272	1,459.71
24 x 72 x 18	20 x 60	MEASN4-247218F	301	1,476.65
24 x 72 x 24	20 x 60	MEASN4-247224F	365	1,769.23
24 x 72 x 30	20 x 60	MEASN4-247230F	420	1,888.62
24 x 72 x 36	20 x 60	MEASN4-247236F	465	2,042.66
30 x 72 x 18	26 x 60	MEASN4-307218F	359	1,731.65
30 x 72 x 24	26 x 60	MEASN4-307224F	409	1,792.86
36 x 60 x 24	32 x 48	MEASN4-366024F	405	1,927.74
36 x 72 x 18	32 x 60	MEASN4-367218F	423	1,908.18
36 x 72 x 24	32 x 60	MEASN4-367224F	468	1,936.08
36 x 72 x 30	32 x 60	MEASN4-367230F	518	2,328.50
36 x 72 x 36	32 x 60	MEASN4-367236F	563	2,501.58
24 x 90 x 20	20 x 78	MEASN4-249020F	392	1,917.79
36 x 90 x 20	32 x 78	MEASN4-369020F	500	2,371.45
36 x 90 x 24	32 x 78	MEASN4-369024F	548	2,506.13
36 x 90 x 36	32 x 78	MEASN4-369036F	633	2,910.65



SECTION A - A
(DOOR CLOSED)



FRONT VIEW
(DOOR OPEN)



RIGHT SIDE

**CABINETS CONFORM TO OUR INTERPRETATION OF NEMA STANDARDS.
OTHER SIZES AVAILABLE - CONSULT FACTORY.**

Mass Electrical Apparatus

Manufacturers of Quality Electrical Enclosures



NEMA TYPE 4 ENCLOSURES

TWO DOOR TYPE

These cabinets are typically used to house electrical controls in areas that may be regularly hosed down or are otherwise very wet, and are suitable for use indoors or outdoors.

TWO DOOR NEMA 4 INCLUDING PANEL (on 12" LEGS)

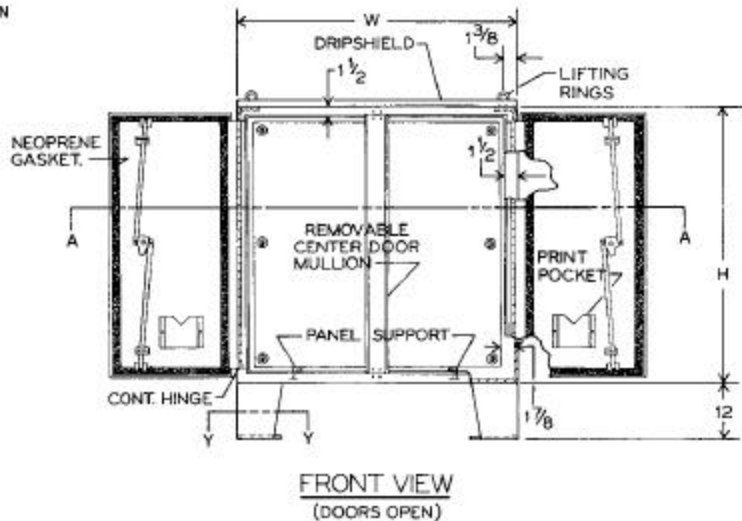
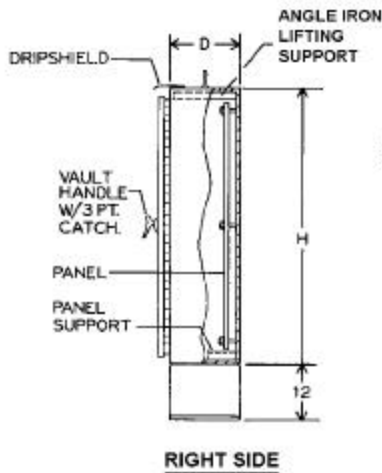
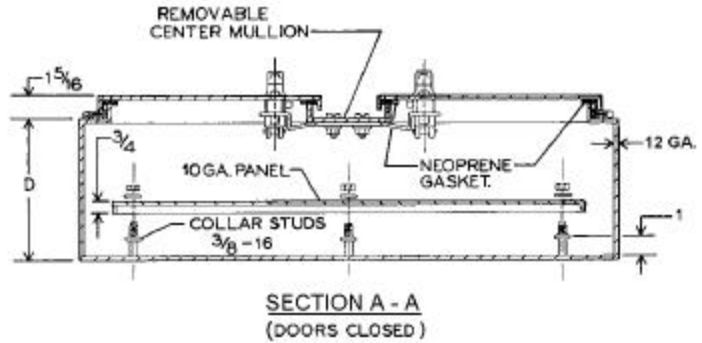
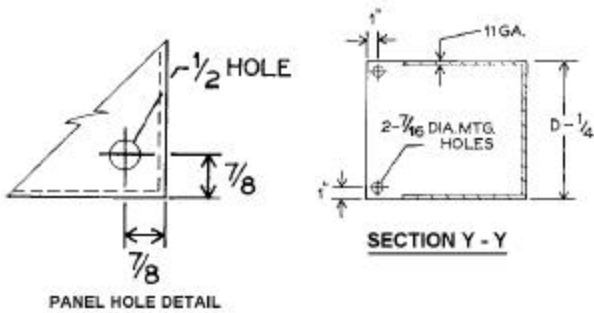
W x H x D	Panel Size	Catalog Number	App. Wgt.	List Price
48 x 60 x 10	44 x 56	MEAN4-486010	430	1955.58
60 x 60 x 12	56 x 56	MEAN4-606012	525	2272.50
60 x 72 x 12	56 x 60	MEAN4-607212	640	2583.62
72 x 72 x 12	68 x 68	MEAN4-727212	750	2897.50
72 x 72 x 24	68 x 68	MEAN4-727224	875	3349.23

Add 12" to height dimension for floor stands

Construction: Manufactured from 12 ga. galvanealed steel with 10 ga. panels mounted on 3/8" collar studs. All seams are welded and ground smooth. A dripshield is provided. Stainless steel continuous hinges are standard. A removable center mullion is furnished between the two doors to facilitate ease of panel installation. Locking vault handles with 3 point catches are provided on each door to provide a tight seal.

Enclosures are supplied with 12" floor stands, panel supports, print pockets, and lifting rings.

Finish: Gray baked powder coat finish inside and out. Print pocket and panel are white baked powder coat finish.



CABINETS CONFORM TO OUR INTERPRETATION OF NEMA STANDARDS.
OTHER SIZES AVAILABLE - CONSULT FACTORY.

Mass Electrical Apparatus

Manufacturers of Quality Electrical Enclosures

NEMA TYPE 4 ENCLOSURES



NEMA TYPE 4 CABINETS are suitable for use outdoors or indoors and are designed to house electrical controls in areas that may be regularly hosed down or are otherwise very wet.



Single Door – NEMA type 4 including panel Wall Mounted

W x H x D	CATALOG NUMBER	PANEL SIZE	APP. WGT.	LIST PRICE
12 x 16 x 6	MEAN4-12166	8 3/4x 12 3/4	26 LBS.	247.80
16 x 16 x 6	MEAN4-16166	12 3/4x 12 3/4	33 LBS.	269.57
16 x 20 x 6	MEAN4-16206	12 3/4x 16 3/4	38 LBS.	291.22
20 x 20 x 6	MEAN4-20206	16 3/4x 16 3/4	45 LBS.	317.54
12 x 24 x 6	MEAN4-12246	8 3/4x 20 3/4	37 LBS.	285.51
16 x 24 x 6	MEAN4-16246	12 3/4x 20 3/4	46 LBS.	313.98
20 x 24 x 6	MEAN4-20246	16 3/4x 20 3/4	55 LBS.	347.52
24 x 24 x 6	MEAN4-24246	20 3/4x 20 3/4	63 LBS.	380.49
20 x 30 x 6	MEAN4-30306	16 3/4x 26 3/4	67 LBS.	386.81
24 x 30 x 6	MEAN4-24306	20 3/4x 26 3/4	77 LBS.	426.97
24 x 36 x 6	MEAN4-24366	20 3/4x 32 3/4	81 LBS.	474.98
12 x 16 x 8	MEAN4-12168	8 3/4x 12 3/4	28 LBS.	259.23
16 x 20 x 8	MEAN4-16208	12 3/4x 16 3/4	41 LBS.	305.93
20 x 20 x 8	MEAN4-20208	16 3/4x 16 3/4	49 LBS.	333.87
20 x 24 x 8	MEAN4-20248	16 3/4x 20 3/4	59 LBS.	365.29
24 x 24 x 8	MEAN4-24248	20 3/4x 20 3/4	67 LBS.	399.90
20 x 30 x 8	MEAN4-20308	16 3/4x 26 3/4	70 LBS.	407.03
24 x 30 x 8	MEAN4-24308	20 3/4x 26 3/4	79 LBS.	448.82
30 x 30 x 8	MEAN4-30308	26 3/4x 26 3/4	99 LBS.	503.98
24 x 36 x 8	MEAN4-24368	20 3/4x 32 3/4	96 LBS.	499.35

W x H x D	CATALOG NUMBER	PANEL SIZE	APP. WGT.	LIST PRICE
30 x 36 x 8	MEAN4-30368	26 3/4x 32 3/4	120 LBS.	571.43
30 x 42 x 8	MEAN4-30428	26 3/4x 38 3/4	136 LBS.	628.06
36 x 42 x 8	MEAN4-36428	32 3/4x 38 3/4	162 LBS.	706.64
36 x 48 x 8	MEAN4-36488	32 3/4x 42 3/4	182 LBS.	775.31
36 x 60 x 8	MEAN4-36608	32 3/4x 56 3/4	221LBS.	912.62
16 x 20 x 10	MEAN4-162010	12 3/4x 16 3/4	45 LBS.	320.48
20 x 24 x 10	MEAN4-202410	16 3/4x 20 3/4	63 LBS.	383.19
20 x 30 x 10	MEAN4-203010	16 3/4x 26 3/4	87 LBS.	461.23
24 x 30 x 10	MEAN4-243010	20 3/4x 26 3/4	92 LBS.	470.62
30 x 36 x 10	MEAN4-303610	26 3/4x 32 3/4	126 LBS.	598.21
30 x 48 x 10	MEAN4-304810	26 3/4x 44 3/4	160 LBS.	718.34
36 x 48 x 10	MEAN4-364810	32 3/4x 44 3/4	190 LBS.	809.25
36 x 60 x 10	MEAN4-366010	32 3/4x 56 3/4	230 LBS.	951.57
24 x 30 x 12	MEAN4-243012	20 3/4x 26 3/4	92 LBS.	492.58
24 x 36 x 12	MEAN4-243612	20 3/4x 32 3/4	107 LBS.	556.23
30 x 36 x 12	MEAN4-303612	26 3/4x 32 3/4	132 LBS.	624.97
36 x 48 x 12	MEAN4-364812	32 3/4x 44 3/4	197 LBS.	843.26
30 x 36 x 16	MEAN4-303616	26 3/4x 32 3/4	144 LBS.	679.54
36 x 48 x 16	MEAN4-364816	32 3/4x 44 3/4	213 LBS.	911.61
36 x 60 x 16	MEAN4-366016	32 3/4x 56 3/4	256 LBS.	1068.43

Construction: Manufactured from 14 ga. galvanized steel with 12 ga. removable panels on 3/8" collar studs.

Door is held secured by a stainless steel continuous hinge along one side and stainless steel screw clamps on the other three sides.

External mounting legs are standard.

A padlock hasp is provided.

Seams are continuously welded and ground smooth.

Print pocket is standard.

A rolled edge is supplied around cabinet opening to add extra strength, exclude liquids and contaminants, improve appearance and form a smooth base to receive compression from the neoprene gasket.

Print pocket and removable panel in white baked powder coat finish.

Finish: Gray baked powder coat finish inside and out.

Larger cabinets are supplied with stiffeners for extra strength.

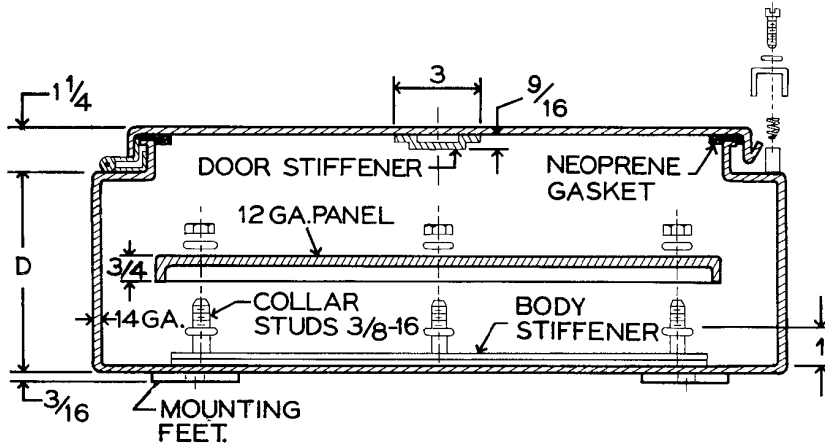
Cabinets conform to our interpretation of NEMA standards.

Note: Other sizes are available. Consult factory.

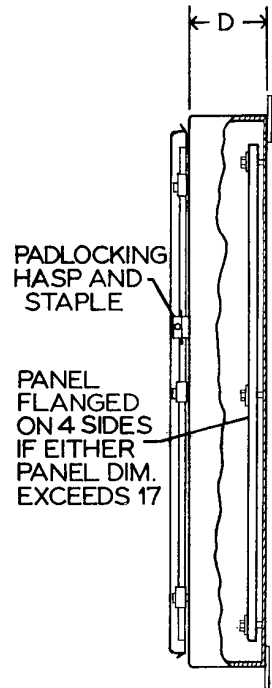
Mass Electrical Apparatus

Manufacturers of Quality Electrical Enclosures

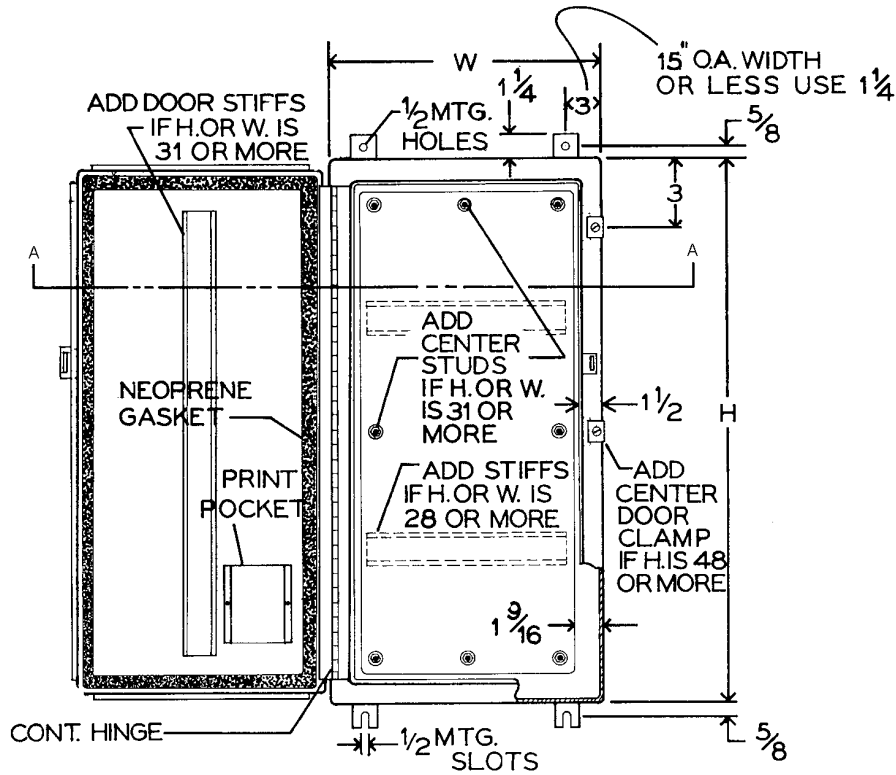
SINGLE DOOR NEMA TYPE 4 ENCLOSURES (CONTINUED)



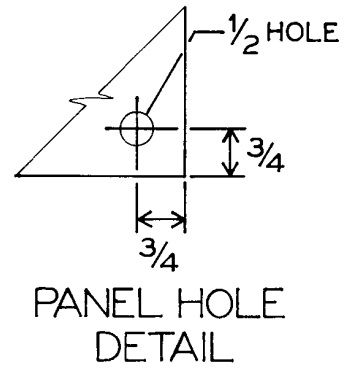
SECTION A - A
(DOOR CLOSED)



RIGHT SIDE



FRONT VIEW
(DOOR OPEN)



NOTE: flat panels on 12 x 16, 16 x 16, 16 x 20 and 20 x 20 sizes. All others shoe box cover type with 3/4" flange.

Mass Electrical Apparatus

Manufacturers of Quality Electrical Enclosures



NEMA TYPE 4 ENCLOSURES

TWO-DOOR WALL MOUNTED

Our NEMA type 4 cabinets are suitable for use indoors or outdoors and are typically used to house electrical controls and instruments in areas that may be regularly hosed down or are otherwise very wet.

TWO DOOR NEMA TYPE 4 INCLUDING PANEL

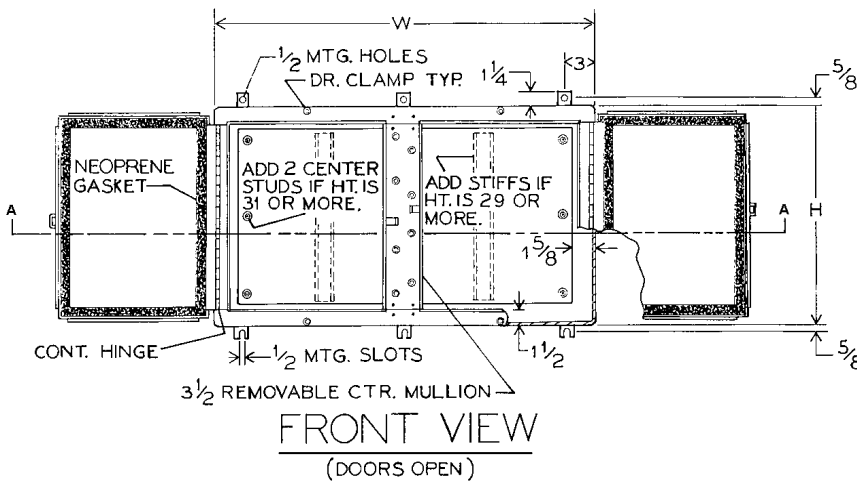
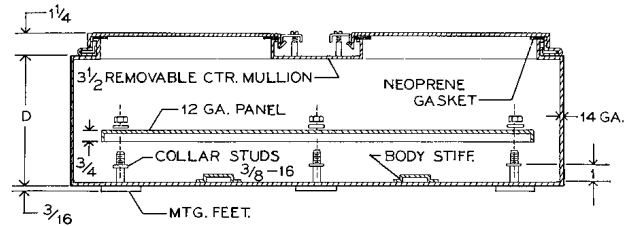
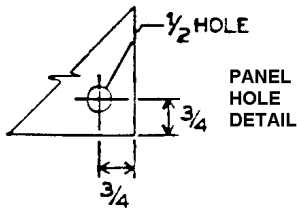
W x H x D	Panel Size	Catalog Number	App. Wgt.	List Price
42 x 24 x 8	38 3/4 x 20 3/4	MEAN4-42248D	110	779.51
48 x 24 x 8	44 3/4 x 20 3/4	MEAN4-48248D	124	847.73
42 x 30 x 10	38 3/4 x 26 3/4	MEAN4-423010D	143	930.64
48 x 30 x 10	44 3/4 x 26 3/4	MEAN4-483010D	160	1,015.64
60 x 30 x 10	56 3/4 x 26 3/4	MEAN4-603010D	190	1,185.43
42 x 36 x 12	38 3/4 x 32 3/4	MEAN4-423612D	175	1,090.34
48 x 36 x 12	44 3/4 x 32 3/4	MEAN4-483612D	197	1,192.69
60 x 36 x 12	56 3/4 x 32 3/4	MEAN4-603612D	239	1,395.21
42 x 42 x 12	38 3/4 x 38 3/4	MEAN4-424212D	185	1,190.61
48 x 42 x 12	44 3/4 x 38 3/4	MEAN4-484212D	215	1,305.90
60 x 42 x 12	56 3/4 x 38 3/4	MEAN4-604212D	285	1,553.09
48 x 48 x 12	44 3/4 x 44 3/4	MEAN4-484812D	255	1,445.81

Note: We can supply many sizes not shown – Consult factory

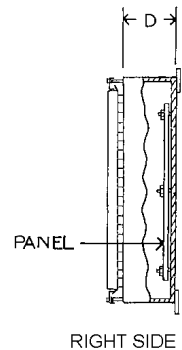
CONSTRUCTION: Manufactured from 14 ga galvanized steel with 10 ga steel removable back panels mounted on 3/8" collar studs. A rolled edge is supplied around cabinet opening to add extra strength, improve appearance, and form a smooth base to receive compression from the neoprene door gaskets. A removable center mullion is furnished between the two doors to facilitate ease of panel installation. Stainless steel screws and clamps on three sides of each door is standard. Doors are supported by heavy duty stainless steel continuous hinge. Six external mounting feet, print pocket, and a hasp and staple for padlocking are standard. Larger sizes are supplied with body stiffeners for extra rigidity.

Finish: Gray baked powder coat finish inside and out. Panels are white baked powder coat finish.

Note: A dripshield is recommended for outdoor applications.



SECTION A - A
(DOOR CLOSED)



Mass Electrical Apparatus

Manufacturers of Quality Electrical Enclosures



NEMA TYPE 12 ENCLOSURES

SINGLE DOOR – WALL MOUNTED

NEMA Type 12 cabinets are used to house electrical controls, terminals and instruments where protection is needed from damage caused by water, oil, coolants dust and other foreign materials.



Single door NEMA type 12 including panel

W x H x D	Catalog Number	Panel Size	App. Wgt.	List Price
12 x 16 x 6	MEAN12-12166	8 3/4x 12 3/4	26 LBS.	198.73
16 x 16 x 6	MEAN12-16166	12 3/4x 12 3/4	33 LBS.	216.70
12 x 20 x 6	MEAN12-12206	8 3/4x 12 3/4	31 LBS.	212.93
16 x 20 x 6	MEAN12-16206	12 3/4x 16 3/4	38 LBS.	234.74
20 x 20 x 6	MEAN12-20206	16 3/4 x 16 3/4	45 LBS.	255.55
12 x 24 x 6	MEAN12-12246	8 3/4x 20 3/4	37 LBS.	230.22
16 x 24 x 6	MEAN12-16246	12 3/4x 20 3/4	46 LBS.	253.64
20 x 24 x 6	MEAN12-20246	16 3/4x 20 3/4	55 LBS.	281.88
24 x 24 x 6	MEAN12-24246	20 3/4x 20 3/4	63 LBS.	309.78
16 x 30 x 6	MEAN12-16306	12 3/4x 26 3/4	53 LBS.	283.47
20 x 30 x 6	MEAN12-20306	16 3/4x 26 3/4	67 LBS.	314.44
24 x 30 x 6	MEAN12-24306	20 3/4x 26 3/4	77 LBS.	348.50
24 x 36 x 6	MEAN12-24366	20 3/4x 32 3/4	81 LBS.	388.73
30 x 36 x 6	MEAN12-30366	26 3/4x 32 3/4	114 LBS.	447.51
12 x 16 x 8	MEAN12-12168	8 3/4x 12 3/4	28 LBS.	207.70
12 x 24 x 8	MEAN12-12248	8 3/4x 20 3/4	40 LBS.	241.71
16 x 16 x 8	MEAN12-16168	12 3/4x 12 3/4	37 LBS.	226.93
12 x 20 x 8	MEAN12-12208	8 3/4x 16 3/4	33 LBS.	223.20
16 x 20 x 8	MEAN12-16208	12 3/4x 16 3/4	41 LBS.	246.21
20 x 20 x 8	MEAN12-20208	16 3/4x 16 3/4	49 LBS.	269.25
16 x 24 x 8	MEAN12-16248	12 3/4x 20 3/4	49 LBS.	266.28
20 x 24 x 8	MEAN12-20248	16 3/4x 20 3/4	59 LBS.	295.88
24 x 24 x 8	MEAN12-24248	20 3/4x 20 3/4	67 LBS.	325.01
20 x 30 x 8	MEAN12-20308	16 3/4x 26 3/4	70 LBS.	330.60
24 x 30 x 8	MEAN12-24308	20 3/4x 26 3/4	79 LBS.	365.66
24 x 36 x 8	MEAN12-24368	20 3/4x 32 3/4	99 LBS.	412.78
30 x 30 x 8	MEAN12-30308	26 3/4x 32 3/4	99 LBS.	410.88
30 x 36 x 8	MEAN12-30368	26 3/4x 32 3/4	120 LBS.	468.76
36 x 36 x 8	MEAN12-36368	32 3/4x 32 3/4	145 LBS.	523.96
24 x 42 x 8	MEAN12-24428	20 3/4x 38 3/4	110 LBS.	445.37
30 x 42 x 8	MEAN12-30428	26 3/4x 38 3/4	136 LBS.	515.48
36 x 42 x 8	MEAN12-36428	32 3/4x 38 3/4	162 LBS.	581.12
24 x 48 x 8	MEAN12-24488	20 3/4x 44 3/4	124 LBS.	484.98
30 x 48 x 8	MEAN12-30488	26 3/4x 44 3/4	153 LBS.	564.20
36 x 48 x 8	MEAN12-36488	32 3/4x 44 3/4	182 LBS.	638.39
36 x 60 x 8	MEAN12-36608	32 3/4x 56 3/4	221 LBS.	753.01
12 x 16 x 10	MEAN12-121610	8 3/4x 112 3/4	31 LBS.	216.55
16 x 20 x 10	MEAN12-162010	12 3/4x 16 3/4	45 LBS.	257.64
20 x 20 x 10	MEAN12-202010	16 3/4x 16 3/4	53 LBS.	281.99
12 x 24 x 10	MEAN12-122410	8 3/4x 20 3/4	43 LBS.	253.21
20 x 24 x 10	MEAN12-202410	16 3/4x 20 3/4	63 LBS.	309.98
24 x 24 x 10	MEAN12-242410	20 3/4x 20 3/4	71 LBS.	340.39
20 x 30 x 10	MEAN12-203010	16 3/4x 26 3/4	76 LBS.	346.48
24 x 30 x 10	MEAN12-243010	20 3/4x 26 3/4	87 LBS.	382.89
24 x 36 x 10	MEAN12-243610	20 3/4x 32 3/4	102 LBS.	427.02
30 x 36 x 10	MEAN12-303610	26 3/4x 32 3/4	126 LBS.	489.71
30 x 42 x 10	MEAN12-304210	26 3/4x 38 3/4	143 LBS.	538.52
36 x 42 x 10	MEAN12-364210	32 3/4x 38 3/4	169 LBS.	605.71
30 x 48 x 10	MEAN12-304810	26 3/4x 44 3/4	160 LBS.	589.10
36 x 48 x 10	MEAN12-364810	32 3/4x 44 3/4	190 LBS.	665.17
36 x 60 x 10	MEAN12-366010	32 3/4x 56 3/4	230 LBS.	783.63
16 x 20 x 12	MEAN12-162012	12 3/4x 16 3/4	48 LBS.	269.17
20 x 24 x 12	MEAN12-202412	16 3/4x 20 3/4	67 LBS.	324.01
24 x 24 x 12	MEAN12-242412	20 3/4x 20 3/4	76 LBS.	355.59

Single door NEMA type 12 including panel (Cont.)

W x H x D	Catalog Number	Panel Size	App. Wgt.	List Price
24 x 30 x 12	MEAN12-243012	20 3/4x 26 3/4	92 LBS.	400.21
30 x 30 x 12	MEAN12-303012	26 3/4 x 26 3/4	113 LBS.	449.15
24 x 36 x 12	MEAN12-243612	20 3/4x 32 3/4	107 LBS.	446.22
30 x 36 x 12	MEAN12-303612	26 3/4x 32 3/4	132 LBS.	510.75
36 x 36 x 12	MEAN12-363612	32 3/4x 32 3/4	154 LBS.	569.93
30 x 42 x 12	MEAN12-304212	26 3/4x 38 3/4	150 LBS.	561.43
36 x 42 x 12	MEAN12-364212	32 3/4x 38 3/4	175 LBS.	630.91
36 x 48 x 12	MEAN12-364812	32 3/4x 44 3/4	197 LBS.	691.99
36 x 60 x 12	MEAN12-366012	32 3/4x 56 3/4	239 LBS.	813.96
30 x 72 x 12	MEAN12-307212	26 3/4x 68 3/4	239 LBS.	824.13
36 x 72 x 12	MEAN12-367212	32 3/4x 68 3/4	295 LBS.	936.61
20 x 24 x 16	MEAN12-202416	16 3/4x 20 3/4	80 LBS.	352.13
24 x 24 x 16	MEAN12-242416	20 3/4x 20 3/4	85 LBS.	386.18
24 x 30 x 16	MEAN12-243016	20 x 26 3/4	101 LBS.	434.47
30 x 36 x 16	MEAN12-303616	26 3/4x 32 3/4	144 LBS.	553.80
36 x 42 x 16	MEAN12-364216	32 3/4x 38 3/4	190 LBS.	680.81
36 x 48 x 16	MEAN12-364816	32 3/4x 44 3/4	213 LBS.	745.56
36 x 60 x 16	MEAN12-366016	32 3/4x 56 3/4	256 LBS.	875.21
30 x 72 x 16	MEAN12-307216	26 3/4x 68 3/4	258 LBS.	889.15
24 x 30 x 20	MEAN12-243020	20 3/4x 26 3/4	111 LBS.	468.99
30 x 36 x 20	MEAN12-303620	26 3/4x 32 3/4	155 LBS.	595.18
36 x 48 x 20	MEAN12-364820	32 3/4x 44 3/4	227 LBS.	799.38
36 x 60 x 20	MEAN12-366020	32 3/4x 56 3/4	281 LBS.	936.79
30 x 72 x 20	MEAN12-307220	26 3/4x 68 3/4	277 LBS.	1000.26
24 x 30 x 24	MEAN12-243024	20 3/4x 26 3/4	129 LBS.	503.70
30 x 72 x 24	MEAN12-307224	26 3/4x 68 3/4	296 LBS.	1019.24

Construction: Manufactured from 14 ga steel with 12 ga removable back panels mounted on 3/8" collar studs.

External mounting legs are standard.

Seams are continuously welded and ground smooth.

Print pocket is provided.

A rolled edge is supplied around cabinet opening to add extra strength, exclude liquids and contaminants, improve appearance and form a smooth base to receive compression from cellular neoprene door gasket.

Door is secured by a continuous hinge along one side and screw clamps along opposite side. A padlock hasp is also provided.

Larger sizes have stiffeners for extra strength.

Finish: Gray baked powder coat finish inside and out. Print pocket and removable panel are white baked powder coat finish.

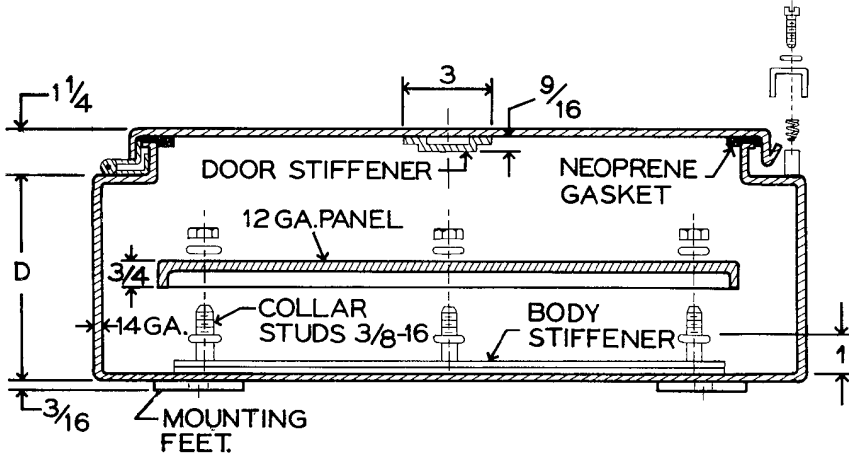
Cabinets conform to our interpretation of NEMA standards.

Note: Other sizes available. Consult factory.

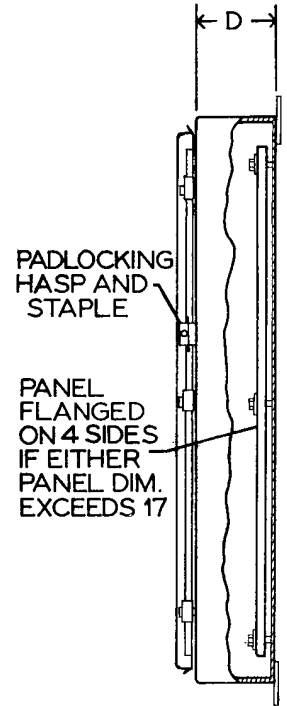
Mass Electrical Apparatus

Manufacturers of Quality Electrical Enclosures

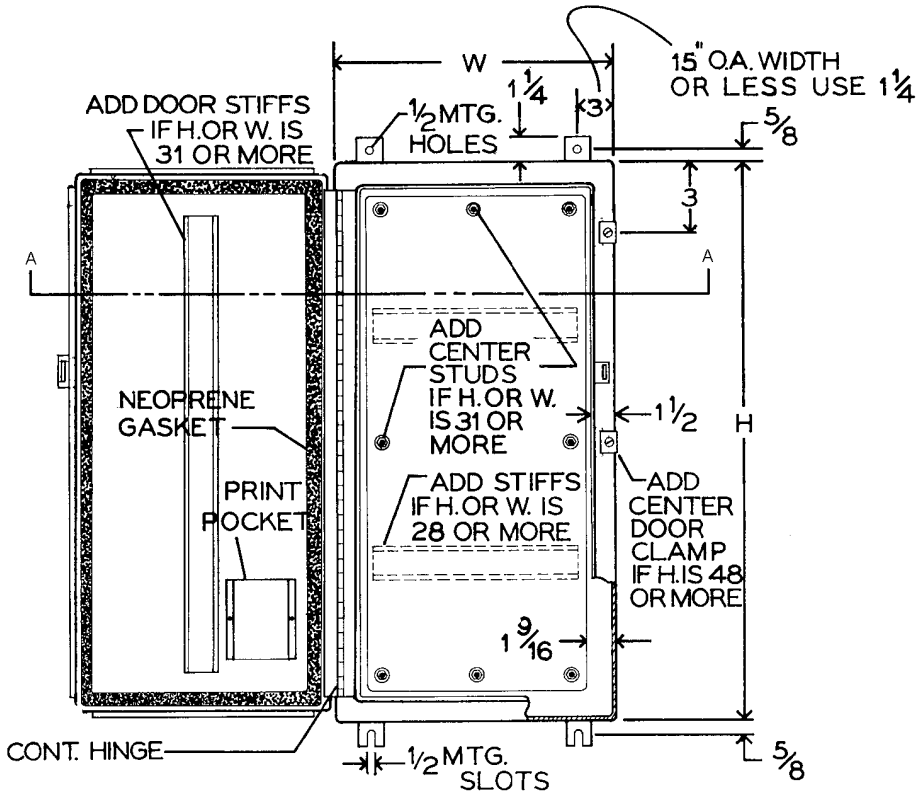
SINGLE DOOR NEMA TYPE 12 ENCLOSURES (CONTINUED)



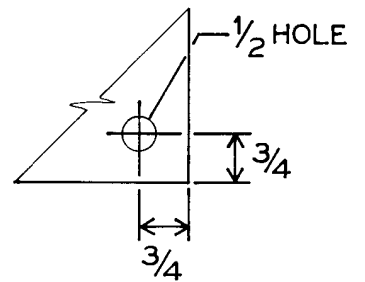
SECTION A - A
(DOOR CLOSED)



RIGHT SIDE



FRONT VIEW
(DOOR OPEN)



PANEL HOLE
DETAIL

NOTE: flat panels on 12 x 16, 16 x 16, 16 x 20 and 20 x 20 sizes. All others shoe box cover type with 3/4" flange.

Mass Electrical Apparatus

Manufacturers of Quality Electrical Enclosures



NEMA TYPE 12 ENCLOSURES

TWO DOOR – WALL MOUNTED

NEMA Type 12 - 2 door wall mounted enclosures are typically used indoors to house terminals, instruments and electrical controls where protection from water, dust, coolants, oil, and other foreign materials is needed.

Two door NEMA type 12 including panel

W x H x D	Panel Size	Catalog Number	App. Wgt.	List Price
42 x 24 x 8	38 3/4x 20 3/4	MEAN12-42248D	117	575.59
48 x 24 x 8	44 3/4x 20 3/4	MEAN12-48248D	130	625.94
42 x 30 x 10	38 3/4x 26 3/4	MEAN12-423010D	152	687.18
48 x 30 x 10	44 3/4x 26 3/4	MEAN12-483010D	168	749.92
60 x 30 x 10	56 3/4x 26 3/4	MEAN12-603010D	203	875.30
42 x 36 x 12	38 3/4x 32 3/4	MEAN12-423612D	220	805.08
48 x 36 x 12	44 3/4x 32 3/4	MEAN12-483612D	242	880.65
60 x 36 x 12	56 3/4x 32 3/4	MEAN12-603612D	292	1030.18
42 x 42 x 12	38 3/4x 38 3/4	MEAN12-424212D	246	879.12
48 x 42 x 12	44 3/4x 38 3/4	MEAN12-484212D	272	964.25
60 x 42 x 12	56 3/4x 38 3/4	MEAN12-604212D	330	1146.75
48 x 48 x 12	56 3/4x 44 3/4	MEAN12-484812D	305	1067.56

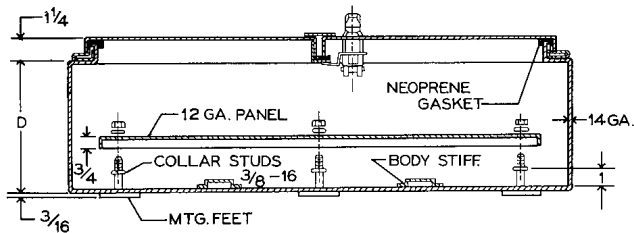
Cabinets conform to our interpretation of JIC and NEMA standards.

Other sizes available. Consult factory.

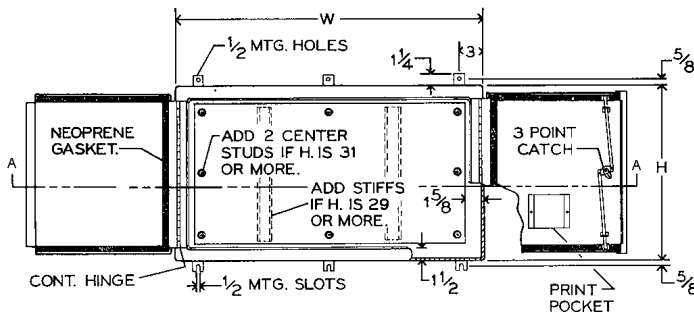
Construction: Manufactured from 14 gauge steel with 10 gauge removable back panels mounted on 3/8" collar studs. A rolled edge is supplied around cabinet opening to add strength, improve appearance and form a smooth base to receive compression from the cellular neoprene door gasket. Units are constructed with overlapping gasketed doors eliminating the need for a center post. A 3-point latching mechanism operated by a locking vault handle holds the doors securely closed. Rollers are supplied on the ends of the latch rods for easier door closing. Doors are supported by heavy duty continuous hinge. Six external mounting feet and a removable print pocket are standard.

Larger sizes are supplied with body and door stiffeners for extra rigidity.

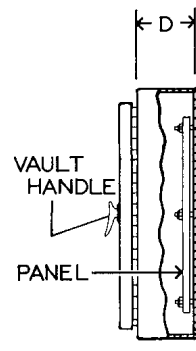
Finish: Gray baked powder coat finish inside and out. Print pocket and removable panel are white baked powder coat finish.



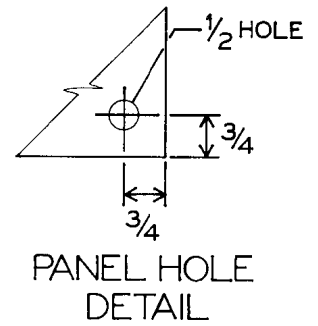
SECTION A - A
(DOOR CLOSED)



FRONT VIEW
(DOORS OPEN)



RIGHT SIDE



PANEL HOLE
DETAIL

Mass Electrical Apparatus

Manufacturers of Quality Electrical Enclosures

NEMA TYPE 12 ENCLOSURES FREE STANDING



**SINGLE
DOOR
STYLE**



**TWO
DOOR
STYLE**

1 Door Type W x H x D	Cat. No. Box and Panel	Panel Size	App. Wgt. Box and Panel	List Price Box and Panel	Cat No. Box Less Panel	App. Wgt. Box Less Panel	List Price Box Less Panel
24 x 60 x 18	MEAN12246018F	20 x 48	272 LBS.	1077.81	MEAN12246018FL	222 LBS.	917.17
24 x 72 x 18	MEAN12247218F	20 x 60	301 LBS.	1192.72	MEAN12247218FL	246 LBS.	1016.67
24 x 72 x 24	MEAN12247224F	20 x 60	365 LBS.	1306.35	MEAN12247224FL	300 LBS.	1130.31
24 x 72 x 30	MEAN12247230F	20 x 60	420 LBS.	1394.52	MEAN12247230FL	355 LBS.	1218.48
24 x 72 x 36	MEAN12247236F	20 x 60	465 LBS.	1508.25	MEAN12247236FL	400 LBS.	1332.20
30 x 72 x 18	MEAN12307218F	26 x 60	359 LBS.	1327.81	MEAN12307218FL	285 LBS.	1123.23
30 x 72 x 24	MEAN12307224F	26 x 60	409 LBS.	1448.75	MEAN12307224FL	335 LBS.	1244.18
36 x 60 x 24	MEAN12366024F	32 x 48	405 LBS.	1423.44	MEAN12366024FL	327 LBS.	1215.92
36 x 72 x 18	MEAN12367218F	32 x 60	423 LBS.	1463.14	MEAN12367218FL	325 LBS.	1229.95
36 x 72 x 24	MEAN12367224F	32 x 60	468 LBS.	1591.21	MEAN12367224FL	370 LBS.	1358.02
36 x 72 x 30	MEAN12367230F	32 x 60	518 LBS.	1719.30	MEAN12367230FL	420 LBS.	1486.10
36 x 72 x 36	MEAN12367236F	32 x 60	563 LBS.	1847.11	MEAN12367236FL	465 LBS.	1613.92
24 x 90 x 20	MEAN12249020F	20 x 78	392 LBS.	1416.07	MEAN12249020FL	337 LBS.	1211.50
36 x 90 x 20	MEAN12369020F	32 x 78	500 LBS.	1751.02	MEAN12369020FL	409 LBS.	1472.05
36 x 90 x 24	MEAN12369024F	32 x 78	548 LBS.	1850.47	MEAN12369024FL	460 LBS.	1571.50
36 x 90 x 36	MEAN12369036F	32 x 78	633 LBS.	2149.17	MEAN12369036FL	525 LBS.	1870.20
2 Door Type W x H x D							
48 x 60 x 18	MEAN12486018F	44 x 48	538 LBS.	1920.57	MEAN12486018FL	430 LBS.	1619.45
48 x 72 x 18	MEAN12487218F	44 x 60	631 LBS.	2192.08	MEAN12487218FL	500 LBS.	1824.12
48 x 72 x 24	MEAN12487224F	44 x 60	661 LBS.	2342.24	MEAN12487224FL	530 LBS.	1974.29
60 x 72 x 18	MEAN12607218F	56 x 60	727 LBS.	2464.03	MEAN12607218FL	568 LBS.	2037.47
60 x 72 x 24	MEAN12607224F	56 x 60	804 LBS.	2629.19	MEAN12607224FL	645 LBS.	2202.62
72 x 72 x 18	MEAN12727218F	68 x 60	832 LBS.	2735.84	MEAN12727218FL	645 LBS.	2250.77
48 x 90 x 20	MEAN12489020F	44 x 78	748 LBS.	2508.47	MEAN12489020FL	548 LBS.	2086.56
72 x 90 x 20	MEAN12729020F	68 x 78	985 LBS.	3216.91	MEAN12729020FL	747 LBS.	2632.27
72 x 72 x 24	MEAN12727224F	68 x 60	882 LBS.	2916.10	MEAN12727224FL	695 LBS.	2431.03
72 x 90 x 24	MEAN12729024F	68 x 78	1063 LBS.	3420.76	MEAN12729024FL	825 LBS.	2836.12
60 x 72 x 36	MEAN12607236F	56 x 60	909 LBS.	2963.46	MEAN12607236FL	750 LBS.	2536.89
72 x 72 x 36	MEAN12727236F	68 x 60	987 LBS.	3558.70	MEAN12727236FL	800 LBS.	3073.63
72 x 90 x 36	MEAN12729036F	68 x 78	1238 LBS.	3833.66	MEAN12729036FL	1000 LBS.	3249.02

NEMA Type 12 – Free standing enclosures are used to house electrical controls, terminals and instruments where protection is desired from damage caused by water, oil, coolants and other foreign materials. They are designed for extra deep applications where increased interior space is needed.

They are also used when height limitation prevents the use of a floor standing type 12 enclosure.

Enclosures are available in four types:

Single door type

Two door type

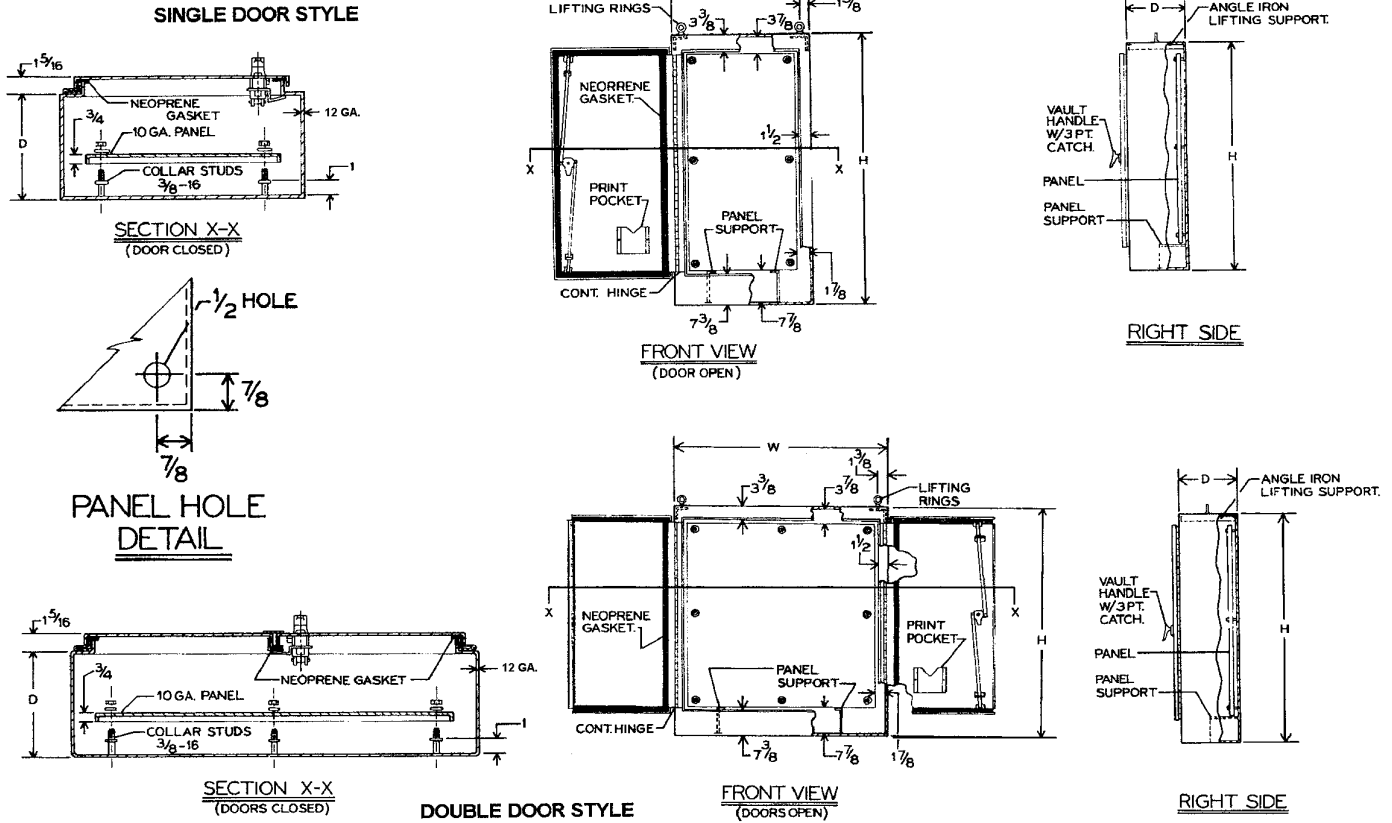
Dual access type (doors front & rear)

Modular type (Open sides)

Mass Electrical Apparatus

Manufacturers of Quality Electrical Enclosures

FREE STANDING NEMA TYPE 12 ENCLOSURES CONTINUED



Construction: Manufactured from 12 gauge steel. Panels are manufactured from 10 gauge steel mounted on 3/8" collar studs. Seams are continuously welded and ground smooth. Overlapping gasketed doors on two door units eliminates the need for a center post. Doors are secured by heavy duty continuous hinges. A locking vault handle with 3 point catch is used to hold door securely closed. Latch rods have rollers at ends for easier door closing. Print pocket, panel supports and heavy duty lifting rings are standard. Finish: Gray baked powder coat finish inside and out. Print pocket and removable panel are white baked powder coat finish. Horizontal mounting channels for adjustable panel installation, half panels and side panels are available. Consult factory. Cabinets conform to our interpretation of NEMA standards.

Note: Other sizes available. Consult factory for prices.

Mass Electrical Apparatus

Manufacturers of Quality Electrical Enclosures

NEMA TYPE 12 ENCLOSURES



NEMA type 12 – 2 door floor mounted enclosures are typically used to house terminals, electrical controls and instruments where protection is needed from damage caused by water, coolants, oil, and other foreign materials.

TWO DOOR – FLOOR MOUNTED (ON FLOOR STANDS)

W x H x D	Cat. No. Box and Panel	Panel Size	App. Wgt. Box and Panel	List Price Box and Panel	Cat No. Box Less Panel	App. Wgt. Box Less Panel	List Price Box Less Panel
42 x 54 x 8	MEAN1242548	38 x 50	270 LBS.	1106.68	MEAN1242548LP	210 LBS.	945.52
48 x 60 x 8	MEAN1248608	44 x 56	420 LBS.	1489.18	MEAN1248608 LP	320 LBS.	1263.50
48 x 60 x 10	MEAN12486010	44 x 56	430 LBS.	1552.59	MEAN12486010 LP	330 LBS.	1326.95
60 x 60 x 10	MEAN12606010	56 x 56	520 LBS.	1788.95	MEAN12606010 LP	390 LBS.	1514.97
60 x 72 x 10	MEAN12607210	56 x 68	560 LBS.	1971.62	MEAN12607210 LP	450 LBS.	1643.91
72 x 72 x 10	MEAN12727210	68 x 68	720 LBS.	2224.11	MEAN12727210 LP	530 LBS.	1831.93
48 x 60 x 12	MEAN12486012	44 x 56	460 LBS.	1595.61	MEAN12486012 LP	360 LBS.	1369.93
60 x 60 x 12	MEAN12606012	56 x 56	525 LBS.	1805.08	MEAN12606012 LP	395 LBS.	1531.10
60 x 72 x 12	MEAN12607212	56 x 68	640 LBS.	2025.34	MEAN12607212 LP	480 LBS.	1697.63
72 x 72 x 12	MEAN12727212	68 x 68	750 LBS.	2283.21	MEAN12727212 LP	560 LBS.	1891.03
48 x 60 x 16	MEAN12486016	44 x 56	520 LBS.	1676.19	MEAN12486016 LP	420 LBS.	1450.51
60 x 60 x 16	MEAN12606016	56 x 56	655 LBS.	1901.78	MEAN12606016 LP	525 LBS.	1627.80
60 x 72 x 16	MEAN12607216	56 x 68	745 LBS.	2122.04	MEAN12607216 LP	585 LBS.	1794.33
72 x 72 x 16	MEAN12727216	68 x 68	825 LBS.	2390.66	MEAN12727216 LP	635 LBS.	1998.48
48 x 60 x 20	MEAN12486020	44 x 56	585 LBS.	1756.78	MEAN12486020 LP	485 LBS.	1531.10
60 x 72 x 20	MEAN12607220	56 x 68	670 LBS.	2228.66	MEAN12607220 LP	600 LBS.	1900.95
72 x 72 x 20	MEAN12727220	68 x 68	840 LBS.	2498.10	MEAN12727220 LP	650 LBS.	2105.92
48 x 60 x 24	MEAN12486024	44 x 56	600 LBS.	1837.36	MEAN12486024 LP	500 LBS.	1611.68
60 x 60 x 24	MEAN12606024	56 x 56	695 LBS.	2097.79	MEAN12606024 LP	565 LBS.	1823.81
60 x 72 x 24	MEAN12607224	56 x 68	775 LBS.	2336.11	MEAN12607224 LP	615 LBS.	2008.40
72 x 72 x 24	MEAN12727224	68 x 68	875 LBS.	2605.55	MEAN12727224 LP	685 LBS.	2213.37

Note: add 12" to height dimension for floor stands.

Construction: Two door floor mounted units are manufactured from 12 gauge steel except 42 x 54 x 8 which is 14 gauge steel. Panels are 10 gauge steel mounted on 3/8" collar studs. Seams are continuously welded and ground smooth. Overlapping gasketed doors eliminates the need for a center post.

Doors are secured by heavy duty continuous hinges.

A locking vault handle with 3 point catch is used to hold door securely closed. Latch rods have rollers at end for easier door closing.

Print pocket, 12" floor stands, panel supports and heavy duty lifting rings are standard.

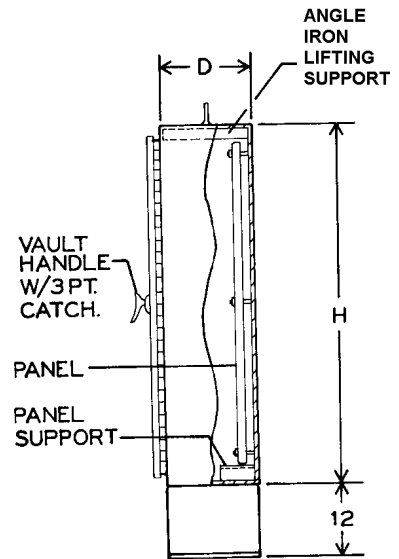
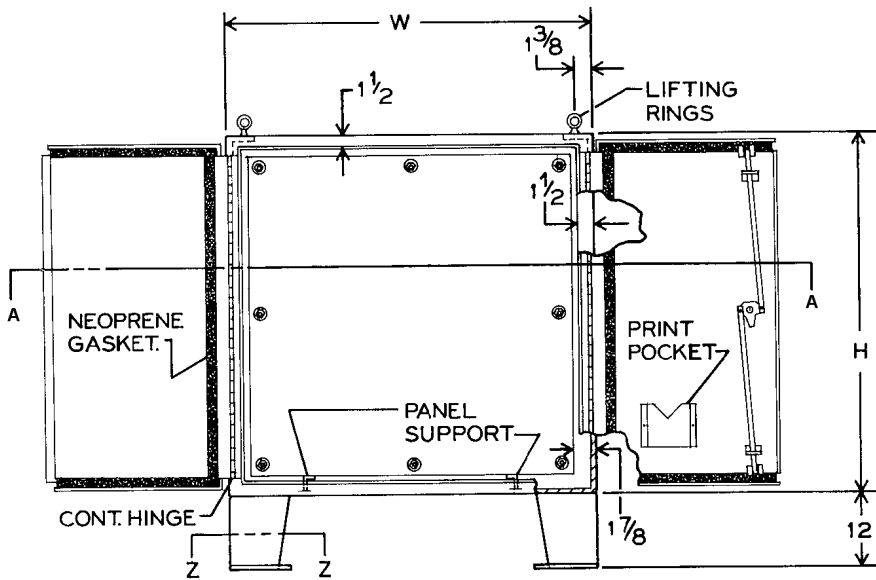
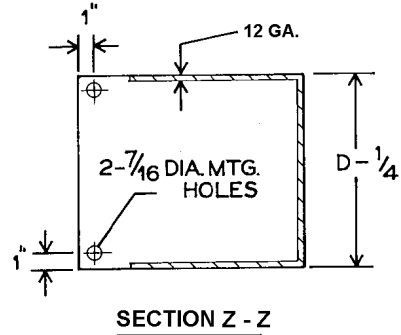
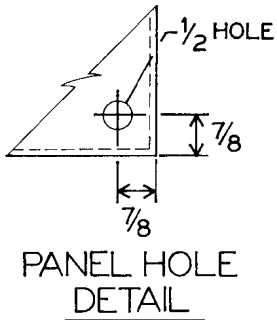
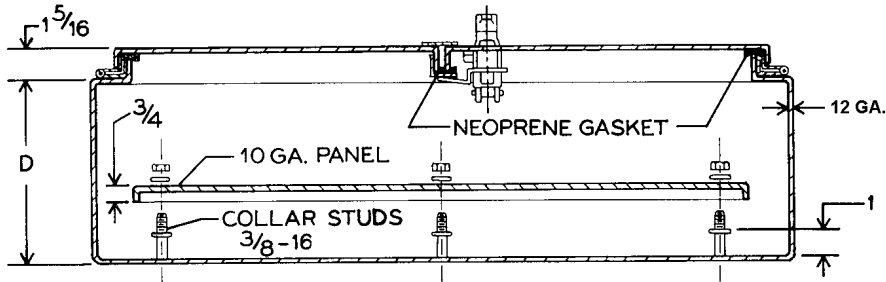
Finish: Gray baked powder coat finish inside and out. Print pocket and removable panel are white baked powder coat finish. Cabinets conform to our interpretation of NEMA standards.

Note: Other sizes available – Consult factory.

Mass Electrical Apparatus

Manufacturers of Quality Electrical Enclosures

TWO DOOR NEMA TYPE 12 ENCLOSURES ON FLOOR STANDS (CONTINUED)



FRONT VIEW
(DOORS OPEN)

RIGHT SIDE

Mass Electrical Apparatus

Manufacturers of Quality Electrical Enclosures

STAINLESS STEEL FREE STANDING NEMA TYPE 12 ENCLOSURES



Stainless steel NEMA Type 12 – Free standing enclosures are used to house , terminals, electrical controls, and instruments where protection from damage caused by water, oil, coolants and other foreign materials is needed.

They are designed for extra deep applications where added interior space is required, and are available in single and two door styles. They are also used when height limitation prevents the use of a floor standing type 12 enclosure.



SINGLE DOOR

TWO DOOR

1 Door Type W x H x D	Cat. No. With Panel	Panel Size	App. Wgt. Box and Panel	List Price With Panel	Cat. No. Box Less Panel	App. Wgt. Less Panel	List Price Less Panel
24 x 60 x 18	MEAN12246018F	20 x 48	272 LBS.	3328.80	MEANS12-246018FL	222 LBS.	3168.16
24 x 72 x 18	MEANS12-247218F	20 x 60	301 LBS.	3689.80	MEANS12-247218FL	246 LBS.	3513.76
24 x 72 x 24	MEANS12-247224F	20 x 60	365 LBS.	4081.20	MEANS12-247224FL	300 LBS.	3905.16
24 x 72 x 30	MEANS12-247230F	20 x 60	420 LBS.	4472.60	MEANS12-247230FL	355 LBS.	4296.56
24 x 72 x 36	MEANS12-247236F	20 x 60	465 LBS.	4864.00	MEANS12-247236FL	400 LBS.	4687.96
30 x 72 x 18	MEANS12-307218F	26 x 60	359 LBS.	4085.00	MEANS12-307218FL	285 LBS.	3880.43
30 x 72 x 24	MEANS12-307224F	26 x 60	409 LBS.	4503.95	MEANS12-307224FL	335 LBS.	4299.38
36 x 60 x 24	MEANS12-366024F	32 x 48	405 LBS.	4408.95	MEANS12-366024FL	327 LBS.	4201.43
36 x 72 x 18	MEANS12-367218F	32 x 60	423 LBS.	4482.10	MEANS12-367218FL	325 LBS.	4248.71
36 x 72 x 24	MEANS12-367224F	32 x 60	468 LBS.	4925.75	MEANS12-367224FL	370 LBS.	4692.36
36 x 72 x 30	MEANS12-367230F	32 x 60	518 LBS.	5368.45	MEANS12-367230FL	420 LBS.	5135.06
36 x 72 x 36	MEANS12-367236F	32 x 60	563 LBS.	5811.15	MEANS12-367236FL	465 LBS.	5577.76
24 x 90 x 20	MEANS12-249020F	20 x 78	392 LBS.	4390.90	MEANS12-249020FL	337 LBS.	4186.33
36 x 90 x 20	MEANS12-369020F	32 x 78	500 LBS.	5365.60	MEANS12-369020FL	409 LBS.	5086.63
36 x 90 x 24	MEANS12-369024F	32 x 78	548 LBS.	5709.50	MEANS12-369024FL	460 LBS.	5430.53
36 x 90 x 36	MEANS12-369036F	32 x 78	633 LBS.	6743.10	MEANS12-369036FL	525 LBS.	6464.13
2 Door Type W x H x D							
48 x 60 x 18	MEANS12-486018F	44 x 48	538 LBS.	5896.65	MEANS12-486018FL	430 LBS.	5595.53
48 x 72 x 18	MEANS12-487218F	44 x 60	631 LBS.	6531.25	MEANS12-487218FL	500 LBS.	6163.30
48 x 72 x 24	MEANS12-487224F	44 x 60	661 LBS.	7045.20	MEANS12-487224FL	530 LBS.	6677.25
60 x 72 x 18	MEANS12-607218F	56 x 60	727 LBS.	7361.55	MEANS12-607218FL	568 LBS.	6934.98
60 x 72 x 24	MEANS12-607224F	56 x 60	804 LBS.	7928.70	MEANS12-607224FL	645 LBS.	7502.13
72 x 72 x 18	MEANS12-727218F	68 x 60	832 LBS.	8192.80	MEANS12-727218FL	645 LBS.	7707.73
48 x 90 x 20	MEANS12-489020F	44 x 78	748 LBS.	7633.25	MEANS12-489020FL	548 LBS.	7211.35
72 x 90 x 20	MEANS12-729020F	68 x 78	985 LBS.	9683.35	MEANS12-729020FL	747 LBS.	9098.71
72 x 72 x 24	MEANS12-727224F	68 x 60	882 LBS.	9003.15	MEANS12-727224FL	695 LBS.	8518.08
72 x 90 x 24	MEANS12-729024F	68 x 78	1063 LBS.	10146.95	MEANS12-729024FL	825 LBS.	9562.31
60 x 72 x 36	MEANS12-607236F	56 x 60	909 LBS.	9062.05	MEANS12-607236FL	750 LBS.	8635.48
72 x 72 x 36	MEANS12-727236F	68 x 60	987 LBS.	10047.20	MEANS12-727236FL	800 LBS.	9562.13
72 x 90 x 36	MEANS12-729036F	68 x 78	1238 LBS.	11535.85	MEANS12-729036FL	1000 LBS.	10951.21

Mass Electrical Apparatus

Manufacturers of Quality Electrical Enclosures

STAINLESS STEEL FREE STANDING NEMA TYPE 12 ENCLOSURES CONTINUED

Construction: Manufactured from 12 gauge type 304 stainless steel. Panels are 10 gauge steel mounted on 3/8" collar studs.

Overlapping doors on two door units eliminates the need for a center post.

Doors are supported by heavy duty stainless steel continuous hinges and are held securely closed by a locking vault handle with a 3-point catch. Latch rods have rollers at ends for easier door closing.

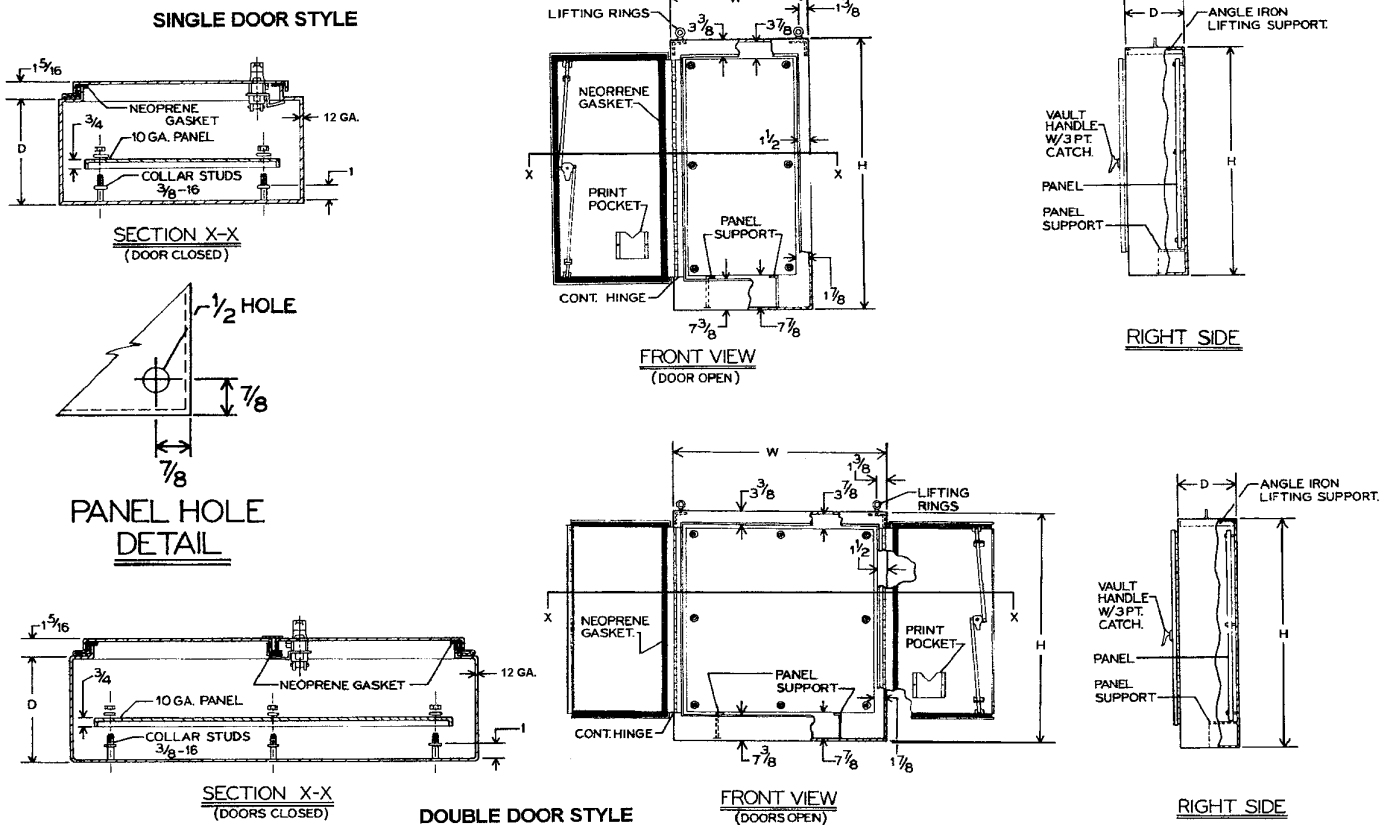
Heavy duty lifting rings, panel supports, and print pocket are supplied.

Finish: Enclosures are unpainted. Seams are continuously welded and ground smooth. Entire exterior has a smooth brushed finish. Print pocket and removable panel are white baked powder coat finish.

Horizontal mounting channels for adjustable panel installation, half panels, and side panels are available. Consult factory for pricing.

Cabinets conform to our interpretation of NEMA standards.

Other sizes available. Consult factory for pricing.



Mass Electrical Apparatus

Manufacturers of Quality Electrical Enclosures

STAINLESS STEEL NEMA TYPE 12 ENCLOSURES



TWO DOOR - FLOOR MOUNTED (ON FLOOR STANDS)

Stainless steel NEMA Type 12 - 2 door floor mounted enclosures are used to house electrical controls, terminals, and instruments where protection is desired from damage caused by water, oil, coolants, and other foreign materials.

Two door stainless steel – Floor mounted NEMA Type 12 enclosures on 12” floor stands

W x H x D	Panel Size	Catalog No. Box & Panel	List Price Box & Panel	App. Wgt. Box & Panel	Catalog No. Box Less Panel	List Price Box Less Panel	App Wgt. Box Less Panel
42 x 54 x 8	38 x 50	MEAS12-42548	3389.60	270 LBS.	MEAS12-42548LP	3228.43	210 LBS.
48 x 60 x 8	44 x 56	MEAS12-48608	4617.00	420 LBS.	MEAS12-48608LP	4391.32	320 LBS.
48 x 60 x 10	44 x 56	MEAS12-486010	4758.55	430 LBS.	MEAS12-486010LP	4532.87	330 LBS.
60 x 60 x 10	56 x 56	MEAS12-606010	5359.90	520 LBS.	MEAS12-606010LP	5085.92	390 LBS.
60 x 72 x 10	56 x 68	MEAS12-607210	6146.50	560 LBS.	MEAS12-607210LP	5818.79	450 LBS.
72 x 72 x 10	68 x 68	MEAS12-727210	6871.35	720 LBS.	MEAS12-727210LP	6479.17	530 LBS.
48 x 60 x 12	44 x 56	MEAS12-486012	4902.00	460 LBS.	MEAS12-486012LP	4676.32	360 LBS.
60 x 60 x 12	56 x 56	MEAS12-606012	5517.60	525 LBS.	MEAS12-606012LP	5243.62	395 LBS.
60 x 72 x 12	56 x 68	MEAS12-607212	6322.25	640 LBS.	MEAS12-607212LP	5994.54	480 LBS.
72 x 72 x 12	68 x 68	MEAS12-727212	7066.10	750 LBS.	MEAS12-727212LP	6673.92	560 LBS.
48 x 60 x 16	44 x 56	MEAS12-486016	5182.25	520 LBS.	MEAS12-486016LP	4956.57	420 LBS.
60 x 60 x 16	56 x 56	MEAS12-606016	5830.15	655 LBS.	MEAS12-606016LP	5556.17	525 LBS.
60 x 72 x 16	56 x 68	MEAS12-607216	6676.60	745 LBS.	MEAS12-607216LP	6348.89	585 LBS.
72 x 72 x 16	68 x 68	MEAS12-727216	7452.75	825 LBS.	MEAS12-727216LP	7060.57	635 LBS.
48 x 60 x 20	44 x 56	MEAS12-486020	5462.50	585 LBS.	MEAS12-486020LP	5236.82	485 LBS.
60 x 72 x 20	56 x 68	MEAS12-607220	7030.00	760 LBS.	MEAS12-607220LP	6702.29	600 LBS.
72 x 72 x 20	68 x 68	MEAS12-727220	7840.35	840 LBS.	MEAS12-727220LP	7448.17	650 LBS.
48 x 60 x 24	44 x 56	MEAS12-486024	5744.65	600 LBS.	MEAS12-486024LP	5518.97	500 LBS.
60 x 60 x 24	56 x 56	MEAS12-606024	6455.25	695 LBS.	MEAS12-606024LP	6181.27	565 LBS.
60 x 72 x 24	56 x 68	MEAS12-607224	7386.25	775 LBS.	MEAS12-607224LP	7058.54	615 LBS.
72 x 72 x 24	68 x 68	MEAS12-727224	8228.90	875 LBS.	MEAS12-727224 LP	7836.72	685 LBS.

Note: add 12” to height dimension for floor stands.

Construction: Manufactured from 12 gauge Type 304 stainless steel except 42 x 54 x 8 which is made from 14 gauge stainless steel.

Panels are 10 gauge steel mounted on 3/8” collar studs.

Seams are continuously welded and ground smooth.

Enclosures are constructed with overlapping gasketed doors eliminating the need for a center post.

Doors are supported by heavy duty stainless steel continuous hinges.

A locking vault handle with 3 point catch is used to hold door securely closed. Latch rods have rollers at the end for easier door closing.

Print pocket, 12” floor stands, panel supports, and heavy duty lifting rings are standard.

Finish: Enclosures are unpainted with entire exterior to have a smooth brushed finish. Print pocket and removable panel are white baked powder coat finish.

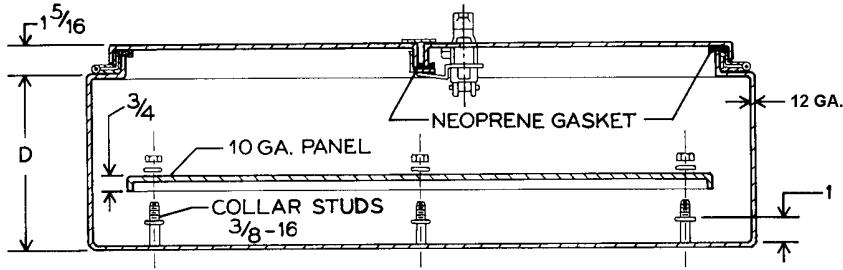
Cabinets conform to our interpretation of NEMA standards.

Other sizes available. Consult factory for pricing.

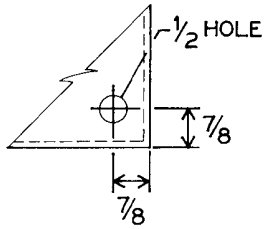
Mass Electrical Apparatus

Manufacturers of Quality Electrical Enclosures

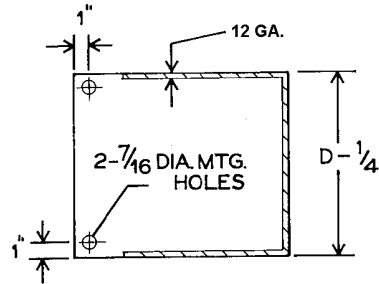
STAINLESS STEEL TWO DOOR NEMA TYPE 12 ENCLOSURES ON FLOOR STANDS



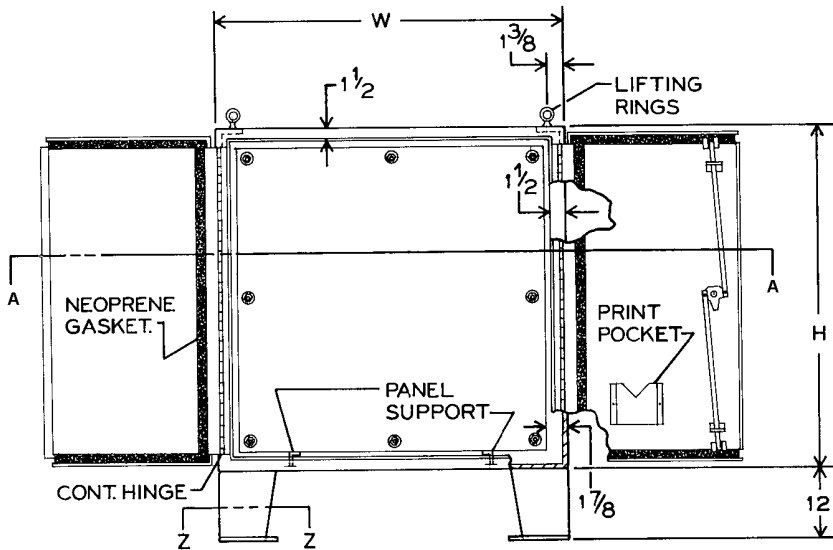
SECTION A-A
(DOORS CLOSED)



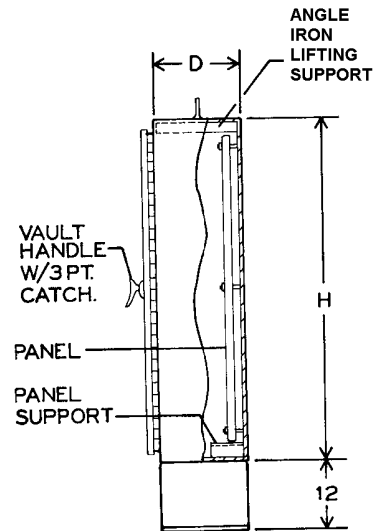
PANEL HOLE
DETAIL



SECTION Z-Z



FRONT VIEW
(DOORS OPEN)



RIGHT SIDE

Mass Electrical Apparatus

Manufacturers of Quality Electrical Enclosures



STAINLESS STEEL NEMA TYPE 12 ENCLOSURES TWO DOOR – WALL MOUNTED

Stainless steel NEMA 12 2-door wall mounted enclosures are designed to house electrical controls and instruments in areas where protection from water, oil, coolants, and other foreign materials is needed.

Construction: Manufactured from 14 gauge Type 304 stainless steel with 10 gauge removable steel back panels mounted on 3/8" collar studs.

A rolled edge is provided around cabinet opening to exclude liquids and contaminants, improve appearance, and form a smooth base to receive compression from the neoprene door gaskets. Overlapping gasketed doors eliminates the need for a center post. A 3-point latching mechanism, operated by a locking vault handle holds the doors securely closed. Rollers are supplied on the ends of the latch rods for easier door closing. Doors are supported by heavy duty stainless steel continuous hinge. Six external mounting feet and a removable print pocket are standard. Body stiffeners are supplied on larger sizes for rigidity.

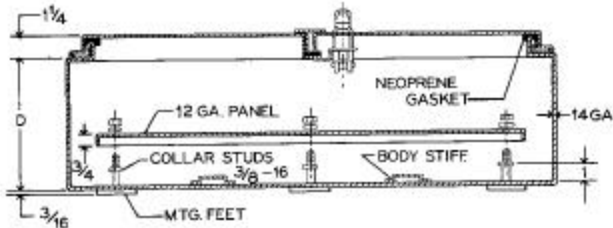
Finish: Enclosures are unpainted with entire exterior to have a smooth brushed finish. Print pocket and removable panel are white baked powder coat finish.

Two Door Stainless Steel NEMA Type 12 Including Panel

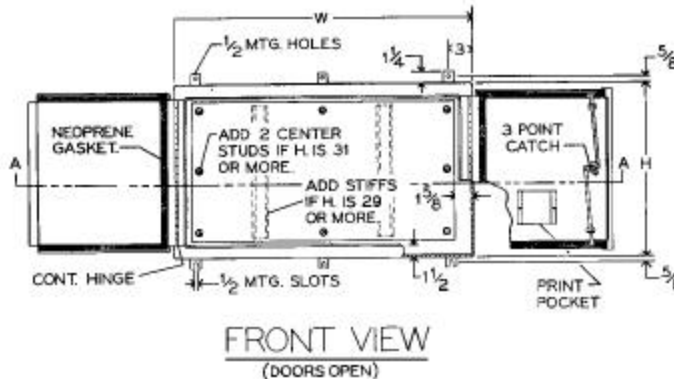
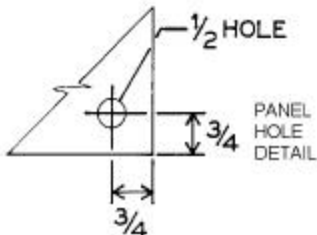
W x H x D	PANEL SIZE	CATALOG NUMBER	APP. WGT	LIST PRICE
42 x 24 x 8	38 3/4X 20 3/4	MEANS12-42248	117	1757.50
48 x 24 x 8	44 3/4X 20 3/4	MEANS12-48248	130	1907.60
42 x 30 x 10	38 3/4X 26 3/4	MEANS12-423010	152	2104.25
48 x 30 x 10	44 3/4X 26 3/4	MEANS12-483010	168	2292.35
60 x 30 x 10	56 3/4X 26 3/4	MEANS12-603010	203	2666.65
42 x 36 x 12	38 3/4X 32 3/4	MEANS12-423612	220	2460.50
48 x 36 x 12	44 3/4X 32 3/4	MEANS12-483612	242	2688.50
60 x 36 x 12	56 3/4X 32 3/4	MEANS12-603612	292	3137.85
42 x 42 x 12	38 3/4X 38 3/4	MEANS12-424212	246	2718.90
48 x 42 x 12	44 3/4X 38 3/4	MEANS12-484212	272	2973.50
60 x 42 x 12	56 3/4X 38 3/4	MEANS12-604212	330	3488.40
48 x 48 x 12	44 3/4X 44 3/4	MEANS12-484812	305	3266.10

Cabinets conform to our interpretation of NEMA standards.

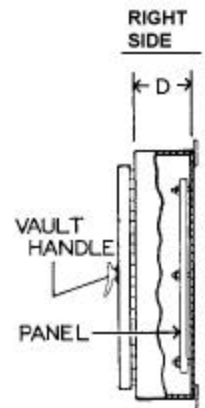
Other sizes available. Consult factory for pricing.



SECTION A - A
(DOOR CLOSED)



FRONT VIEW
(DOORS OPEN)



Mass Electrical Apparatus

Manufacturers of Quality Electrical Enclosures



STAINLESS STEEL NEMA TYPE 4X ENCLOSURES SINGLE DOOR – WALL MOUNTED

Stainless steel NEMA 4X enclosures are typically used house electrical controls and instruments in areas which may be regularly hosed down or are otherwise very wet. They are also suitable for use in areas where a serious corrosion problem may exist, and may be used outdoors, in food processing plants, waste or water treatment plants, dairies, etc.

STAINLESS STEEL NEMA TYPE 4X W/STEEL PANEL

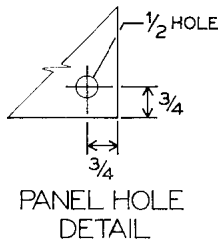
W x H x D	PANEL SIZE	CATALOG NUMBER	APP. WGT	LIST PRICE
12 x 16 x 6	8 3/4x 12 3/4	MEAN4X-12166	26	529.82
16 x 16 x 6	12 3/4x 12 3/4	MEAN4X-16166	33	589.22
16 x 20 x 6	12 3/4x 16 3/4	MEAN4X-16206	38	648.61
20 x 20 x 6	16 3/4x 16 3/4	MEAN4X-20206	45	719.88
20 x 24 x 6	16 3/4x 20 3/4	MEAN4X-20246	54	793.53
12 x 16 x 8	8 3/4x 12 3/4	MEAN4X-12124	28	565.47
16 x 20 x 8	12 3/4x 16 3/4	MEAN4X-16206	41	693.76
20 x 24 x 8	16 3/4x 20 3/4	MEAN4X-20246	59	848.17
24 x 24 x 8	20 3/4x 20 3/4	MEAN4X-24246	67	938.47
20 x 30 x 8	16 3/4x 26 3/4	MEAN4X-20308	70	962.22
24 x 30 x 8	20 3/4x 26 3/4	MEAN4X-24308	81	1069.13
24 x 36 x 8	20 3/4x 32 3/4	MEAN4X-24368	96	1199.80
30 x 36 x 8	26 3/4x 32 3/4	MEAN4X-30368	119	1385.12

STAINLESS STEEL NEMA TYPE 4X W/STEEL PANEL

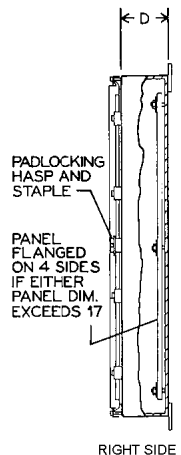
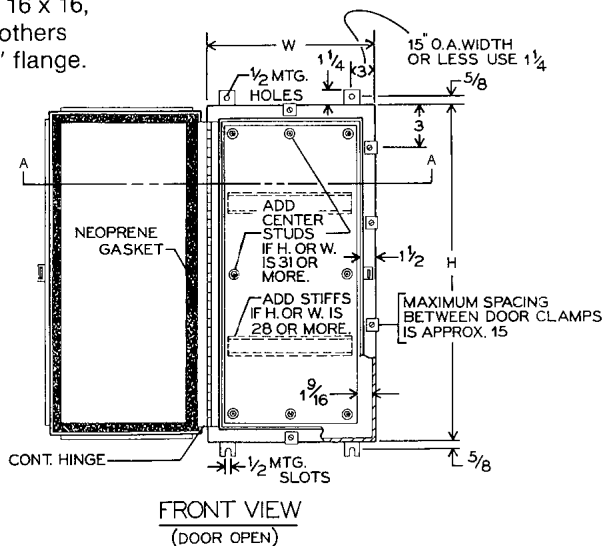
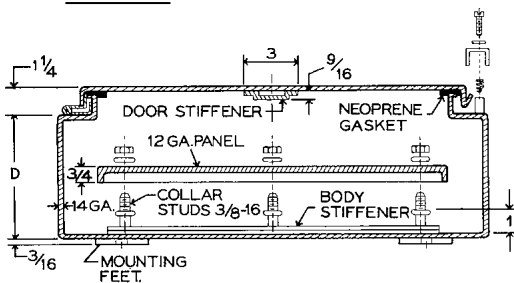
W x H x D	PANEL SIZE	CATALOG NUMBER	APP. WGT	LIST PRICE
36 x 42 x 8	32 3/4x 38 3/4	MEAN4X-36428	162	1743.87
36 x 48 x 8	32 3/4x 44 3/4	MEAN4X-36488	182	1926.81
16 x 20 x 10	12 3/4x 16 3/4	MEAN4X-162010	45	738.88
20 x 24 x 10	16 3/4x 20 3/4	MEAN4X-202410	63	902.82
24 x 36 x 10	20 3/4x 32 3/4	MEAN4X-243610	102	1275.82
30 x 36 x 10	26 3/4x 32 3/4	MEAN4X-303610	126	1468.28
30 x 42 x 10	26 3/4x 36 3/4	MEAN4X-304210	150	1629.83
24 x 24 x 12	20 3/4x 20 3/4	MEAN4X-242412	74	1057.26
24 x 30 x 12	20 3/4x 26 3/4	MEAN4X-243012	92	1204.55
30 x 36 x 12	26 3/4x 32 3/4	MEAN4X-303612	132	1551.44
36 x 36 x 12	32 3/4x 32 3/4	MEAN4X-363612	154	1746.24
36 x 48 x 12	32 3/4x 44 3/4	MEAN4X-364812	197	2138.27
36 x 60 x 12	32 3/4x 56 3/4	MEAN4X-366012	239	2530.31
30 x 36 x 16	26 3/4x 32 3/4	MEAN4X-303616	144	1717.75
36 x 48 x 16	32 3/4x 44 3/4	MEAN4X-364816	213	2349.73

Construction: Manufactured from 14 gauge type 304 stainless steel.
Panels are 12 gauge steel mounted on 3/8" collar studs.
External legs for mounting are standard.
A rolled edge is provided around cabinet opening to add extra strength, and exclude liquids and contaminants.

Door is attached by a stainless steel continuous hinge along one side and stainless steel screw clamps on the other 3 sides.
A padlock hasp is standard.
Larger sizes have stiffeners for rigidity.
External seams are ground smooth and polished.
Finish: Enclosures are unpainted with exterior to have a smooth brushed finish.
Panels are white baked powder coat.



NOTE: flat panels on 12 x 16, 16 x 16, 16 x 20 and 20 x 20 sizes. All others shoe box cover type with 3/4" flange.



Mass Electrical Apparatus

Manufacturers of Quality Electrical Enclosures



STAINLESS STEEL NEMA TYPE 4X ENCLOSURES TWO DOOR – WALL MOUNTED

Stainless steel NEMA 4X enclosures are used to house electrical controls and instruments in areas that may be regularly hosed down or are otherwise very wet. They are also suitable for use in areas where a serious corrosion problem may exist. They may be used outdoors, in food processing plants, breweries, dairies, etc.

W x H x D	PANEL SIZE	CATALOG NUMBER	APP. WGT	LIST PRICE
42 x 24 x 8	38 3/4 x 20 3/4	MEAN4X-42248	110	1721.40
48 x 24 x 8	44 3/4 x 20 3/4	MEAN4X-48248	124	1895.25
42 x 30 x 10	38 3/4 x 26 3/4	MEAN4X-423010	143	2122.30
48 x 30 x 10	44 3/4 x 26 3/4	MEAN4X-483010	160	2334.15
60 x 30 x 10	56 3/4 x 26 3/4	MEAN4X-603010	190	2761.65
42 x 36 x 12	38 3/4 x 32 3/4	MEAN4X-423612	175	2527.00
48 x 36 x 12	44 3/4 x 32 3/4	MEAN4X-483612	197	2787.30
60 x 36 x 12	56 3/4 x 32 3/4	MEAN4X-603612	239	3237.60
42 x 42 x 12	38 3/4 x 38 3/4	MEAN4X-424212	185	2805.35
48 x 42 x 12	44 3/4 x 38 3/4	MEAN4X-484212	215	3021.00
60 x 42 x 12	56 3/4 x 38 3/4	MEAN4X-604212	285	3670.80
48 x 48 x 12	44 3/4 x 44 3/4	MEAN4X-484812	255	3454.20

Construction:

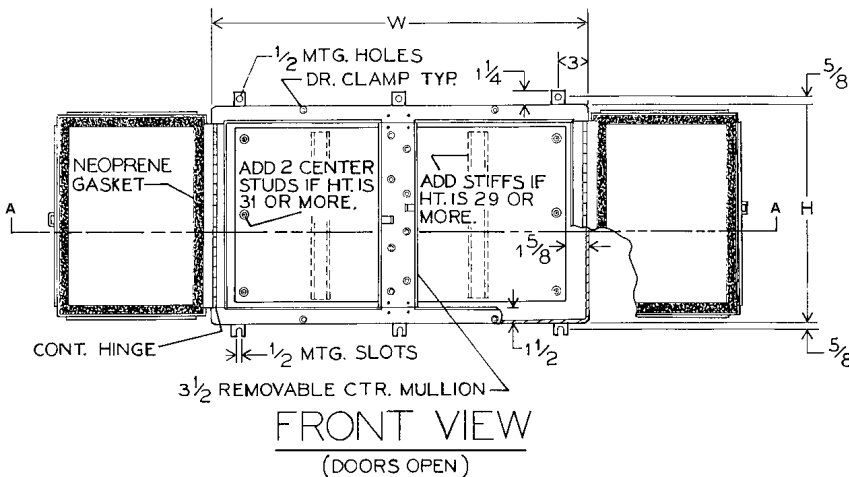
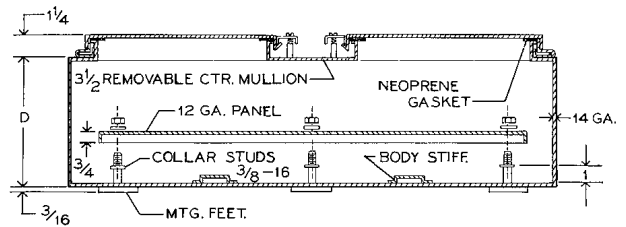
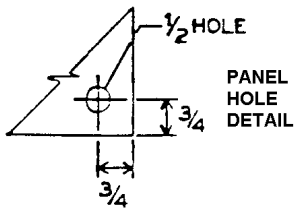
Manufactured from 14 gauge type 304 stainless steel with 10 gauge steel removable back panels mounted on 3/8" collar studs. A rolled edge is provided around cabinet opening to add extra strength, exclude liquids and contaminants, improve appearance, and form a smooth base to receive compression from the neoprene door gasket. A removable center mullion is placed between the two doors to facilitate ease of panel installation. Stainless steel screws and clamps on three sides of each door are standard. Doors are secured by heavy duty continuous hinge. Six external mounting feet and a hasp and staple for padlocking are standard. Larger sizes have body stiffeners for extra rigidity.

Finish: Enclosures are unpainted with exterior to have a smooth brushed finish.

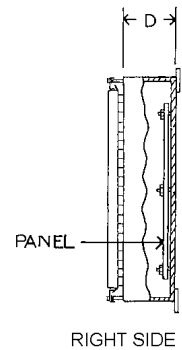
Other sizes available. Consult factory for pricing.

Panels are white baked powder coat finish.

Cabinets conform to our interpretation of NEMA standards.



SECTION A - A
(DOOR CLOSED)



Mass Electrical Apparatus

Manufacturers of Quality Electrical Enclosures



STAINLESS STEEL NEMA TYPE 4X FREE STANDING ENCLOSURES SINGLE DOOR TYPE

Stainless steel NEMA 4X enclosures are typically used to house electrical controls and instruments in areas that may be regularly hosed down or are otherwise very wet. They are also suitable for use in areas where a serious corrosion problem may exist, and may be used outdoors, in food processing plants, breweries, dairies, etc.

Construction: Manufactured from 12 gauge type 304 stainless steel with 10 gauge steel panels mounted on 3/8" collar studs. All seams are welded and ground smooth.

A hasp and staple is provided for padlocking. A neoprene door gasket, panel supports and lifting rings are standard

Stainless steel screws and clamps are provided on three sides of each door, which are supported by heavy duty stainless steel continuous hinge. A rolled edge is provided around three sides of door to exclude contaminants and liquids.

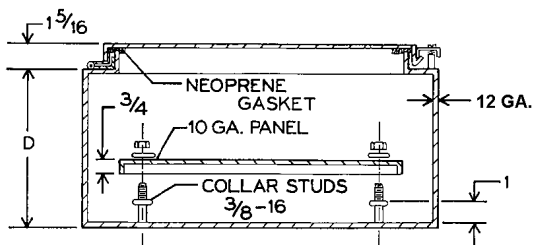
Finish: Enclosures are unpainted with exterior to have a smooth brushed finish. Steel panels are white baked powder coat finish.

Other sizes available. Consult factory for pricing.

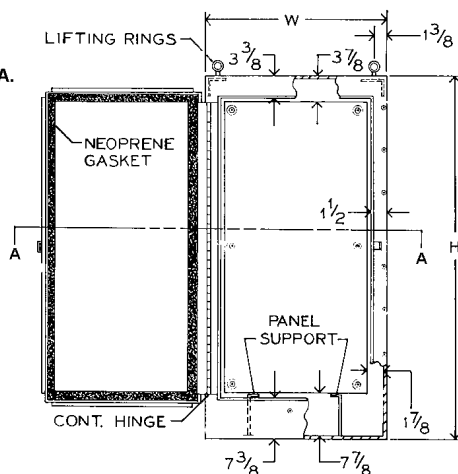
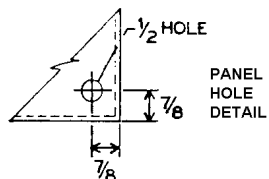
Cabinets conform to our interpretation of NEMA standards.

SINGLE DOOR NEMA TYPE 4X INCLUDING PANEL

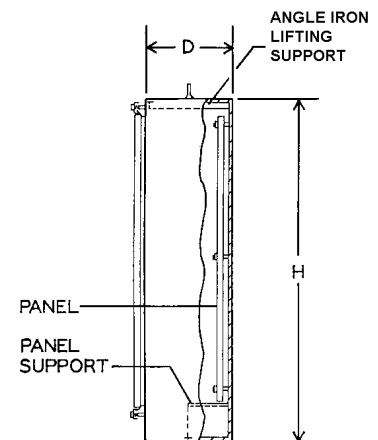
W x H x D	PANEL SIZE	CATALOG NUMBER	APP. WGT	LIST PRICE
24 x 60 x 12	20 x 48	MEAN4X-246012	272	3898.80
24 x 72 x 18	20 x 60	MEAN4X-247218	301	4321.55
24 x 72 x 24	20 x 60	MEAN4X-247224	365	4775.65
24 x 72 x 30	20 x 60	MEAN4X-247230	420	5252.55
24 x 72 x 36	20 x 60	MEAN4X-247236	465	5739.90
30 x 72 x 18	26 x 60	MEAN4X-307218	359	4787.05
30 x 72 x 24	26 x 60	MEAN4X-307224	409	5187.95
36 x 60 x 24	32 x 48	MEAN4X-366024	405	5159.45
26 x 72 x 18	32 x 60	MEAN4X-367218	423	5252.55
36 x 72 x 24	32 x 60	MEAN4X-367224	468	5631.60
36 x 72 x 30	32 x 60	MEAN4X-367230	518	6038.20
36 x 72 x 36	32 x 60	MEAN4X-367236	563	6532.20
24 x 90 x 20	20 x 78	MEAN4X-249020	392	5139.50
36 x 90 x 20	32 x 78	MEAN4X-369020	500	6289.95
36 x 90 x 24	32 x 78	MEAN4X-369024	548	6428.65
36 x 90 x 36	32 x 78	MEAN4X-369036	633	7582.90



SECTION A - A
(DOOR CLOSED)



FRONT VIEW
(DOOR OPEN)



RIGHT SIDE

Mass Electrical Apparatus

Manufacturers of Quality Electrical Enclosures



STAINLESS STEEL NEMA TYPE 4X ENCLOSURES

TWO DOOR – FLOOR MOUNTED (ON FLOOR STANDS)

Stainless steel NEMA 4X enclosures are typically used to house electrical controls and instruments in areas that may be regularly hosed down or are otherwise very wet. They are also suitable for use in areas where a serious corrosion problem may exist, and may be used outdoors, in food processing plants, breweries, dairies, etc.

Construction: Manufactured from 12 gauge type 304 stainless steel with 10 gauge steel panels mounted on 3/8" collar studs. All seams are welded and ground smooth.

Supplied with 12" floor stands, hasp & staple for padlocking, neoprene door gasket, lifting rings and panel supports.

A removable center mullion is furnished between the two doors to facilitate ease of panel installation. Stainless steel screws and clamps on three sides of each door are standard.

Doors are supported by heavy duty stainless steel continuous hinge. A rolled edge is provided around three sides of door to exclude liquids and contaminants.

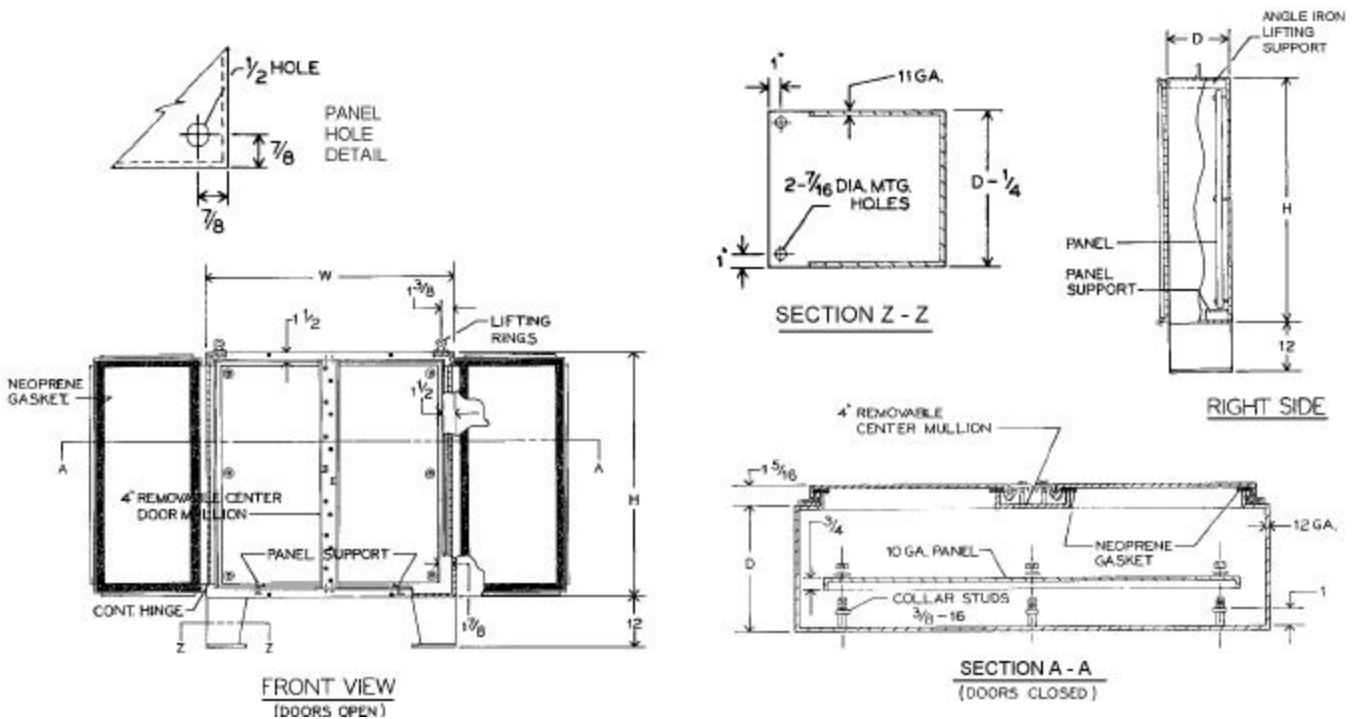
W x H x D	PANEL SIZE	CATALOG NUMBER	APP. WGT	LIST PRICE
48 x 60 x 12	44 x 56	MEAN4X-486012	378	5818.75
60 x 60 x 12	56 x 56	MEAN4X-606012	461	6555.95
60 x 72 x 12	56 x 60	MEAN4X-607212	525	7581.00
72 x 72 x 12	68 x 68	MEAN4X-727212	580	8131.05
72 x 72 x 24	68 x 68	MEAN4X-727224	691	10288.50

ADD 12" TO HEIGHT DIMENSION FOR FLOOR STANDS

Finish: Enclosures are unpainted. The exterior has a smooth brushed finish. Steel panels are white baked powder coat finish.

Other sizes available. Consult factory for pricing.

Cabinets conform to our interpretation of NEMA standards.



Mass Electrical Apparatus

Manufacturers of Quality Electrical Enclosures

STAINLESS STEEL NEMA TYPE 4X ENCLOSURES

Screw Cover Type - Wall Mounted



Stainless steel screw cover NEMA 4X enclosures are typically used as junction boxes in areas that may be regularly hosed down or are otherwise very wet. They are also suitable for use in areas where a serious corrosion problem may exist, and may be used outdoors, in food processing plants, waste or water treatment plants, dairies, etc.

W x H x D	CATALOG NUMBER	GA	APP. WGT	LIST PRICE
4 x 4 x 3	MEASC4X-443	14	2	107.35
4 x 4 x 4	MEASC4X-444	14	2	118.75
6 x 6 x 4	MEASC4X-664	14	3	152.00
8 x 8 x 4	MEASC4X-884	14	5	189.05
10 x 10 x 4	MEASC4X-10104	14	7	244.15
12 x 12 x 4	MEASC4X-12124	14	9	307.80
6 x 6 x 6	MEASC4X-666	14	4	190.95
8 x 8 x 6	MEASC4X-886	14	6	227.05
10 x 10 x 6	MEASC4X-10106	14	8	267.90
12 x 12 x 6	MEASC4X-12126	14	11	323.00
12 x 15 x 6	MEASC4X-12156	14	12	347.70
12 x 18 x 6	MEASC4X-12186	14	14	401.85
18 x 18 x 6	MEASC4X-18186	14	20	625.10
18 x 24 x 6	MEASC4X-18246	14	26	756.20
24 x 24 x 6	MEASC4X-24246	14	39	838.85
12 x 12 x 8	MEASC4X-12128	14	12	363.85
18 x 18 x 8	MEASC4X-18188	14	23	670.70
24 x 24 x 8	MEASC4X-24248	14	42	893.00

W x H x D	CATALOG NUMBER	GA	APP. WGT	LIST PRICE
24 x 30 x 8	MEASC4X-24308	14	46	1014.60
30 x 30 x 8	MEASC4X-30308	14	66	1133.35
23 x 36 x 8	MEASC4X-24368	14	62	1122.90
30 x 36 x 8	MEASC4X-30368	14	103	1377.50
36 x 36 x 8	MEASC4X-36368	14	126	1558.95
18 x 18 x 10	MEASC4X-181810	14	24	715.35
24 x 24 x 10	MEASC4X-242410	14	48	958.55
24 x 30 x 8	MEASC4X-243010	14	51	1068.75
30 x 30 x 10	MEASC4X-303010	14	70	1221.70
24 x 36 x 10	MEASC4X-243610	14	67	1210.30
36 x 36 x 10	MEASC4X-363610	14	130	1663.45
18 x 18 x 12	MEASC4X-181812	14	27	841.70
24 x 24 x 12	MEASC4X-242412	14	51	1012.70
30 x 30 x 12	MEASC4X-303012	14	74	1310.05
36 x 36 x 12	MEASC4X-363612	14	136	1792.65
36 x 48 x 12	MEASC4X-364812	14	208	2274.30
48 x 48 x 12	MEASC4X-484812	14	218	2858.55

Construction: Manufactured from 14 gauge type 304 stainless steel.

Seams are continuously welded and ground smooth.

Stainless steel captivated cover screws thread into sealed wells on 14 gauge cabinets. Stainless steel non-captivated screws with sealing washers thread into enclosure flange on 12 gauge cabinets.

Finish: Enclosures are unpainted. Exterior has a smooth brushed finish.

Covers are shoe box type with a neoprene gasket.

External mounting tabs or straps are provided.

Note: Cabinets are not supplied with provisions for inner mounting panels. If inner panels are required, add "ST" at end of catalog number and panel studs will be provided at no additional cost. Panels must be ordered separately.

Mass Electrical Apparatus

Manufacturers of Quality Electrical Enclosures

WIREWAY & CABINET DIVIDERS

Dividers are used to separate cabinets or wireway into sections. They are typically used to separate high and low voltage circuits. Our dividers are manufactured of code gauge steel, with holes to simplify field installation.

Finish: Galvanized or Gray baked powder coat finish.

CABINET DIVIDERS

Fits Cabinet With:		
W x D	CAT. NO.	LIST PRICE
6" x 4"	MEACD64	9.18
8" x 4"	MEACD84	9.28
10" x 4"	MEACD104	9.39
12" x 4"	MEACD124	9.50
6" x 6"	MEACD66	9.28
8" x 6"	MEACD86	9.39
10" x 6"	MEACD106	9.72
12" x 6"	MEACD126	10.58
18" x 6"	MEACD186	13.82

Fits Cabinet With:		
W x D	CAT. NO.	LIST PRICE
24" x 6"	MEACD246	27.23
18" x 8"	MEACD188	14.90
24" x 8"	MEACD248	28.50
18" x 10"	MEACD1810	15.98
24" x 10"	MEACD2410	29.58
30" x 10"	MEACD3010	33.90
36" x 10"	MEACD3610	55.59
36" x 12"	MEACD3612	56.68
48" x 12"	MEACD4812	97.16

WIREWAY DIVIDERS

(For NEMA1 screw cover and hinge cover wireway)

SIZE	4 x 4		6 x 6		8 x 8		10 x 10		12 x 12	
	CAT.NO.	LIST PRICE	CAT.NO.	LIST PRICE	CAT.NO.	LIST PRICE	CAT.NO.	LIST PRICE	CAT.NO.	LIST PRICE
1 FT.	MEAWD41	9.50	MEAWD61	10.58	MEAWD81	19.00	MEAWD101	20.08	MEAWD121	21.16
2 FT.	MEAWD42	14.25	MEAWD62	15.33	MEAWD82	28.50	MEAWD102	29.58	MEAWD122	30.66
3 FT.	MEAWD43	19.00	MEAWD63	20.08	MEAWD83	38.02	MEAWD103	39.08	MEAWD123	40.16
4 FT.	MEAWD44	23.75	MEAWD64	24.83	MEAWD84	47.52	MEAWD104	48.60	MEAWD124	49.69
5 FT.	MEAWD45	28.50	MEAWD65	29.58	MEAWD85	56.57	MEAWD105	58.08	MEAWD125	59.16
10 FT.	MEAWD410	57.00	MEAWD610	59.16	MEAWD810	113.14	MEAWD1010	116.16	MEAWD1210	118.32
90° Flat	MEAWD490F	47.52	MEAWD690F	49.14	MEAWD890F	59.39	MEAWD1090F	61.02	MEAWD1290F	62.61
90° Internal	MEAWD490I	47.52	MEAWD690I	49.14	MEAWD890I	59.39	MEAWD1090I	61.02	MEAWD1290I	62.61
90° External	MEAWD490E	47.52	MEAWD690E	49.14	MEAWD890E	59.39	MEAWD1090E	61.02	MEAWD1290E	62.61
45° Flat	MEAWD490L	47.52	MEAWD690L	49.14	MEAWD890L	59.39	MEAWD1090L	61.02	MEAWD1290L	62.61

NOTE: To order dividers for JIC sectional trough, add "JIC" to end of Cat. No.

NOTE: For factory installation, please call for pricing information.
Other sizes are available – Consult factory for pricing.

Mass Electrical Apparatus

Manufacturers of Quality Electrical Enclosures

REPLACEMENT PANELS

REPLACEMENT PANELS ONLY

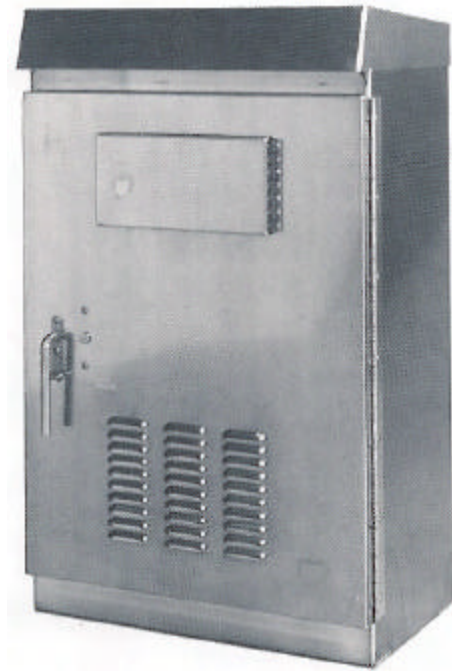
For wall mounted NEMA type 1, Type 4, Type 4X, or Type 12 cabinets. Panels are steel with white baked powder coat finish. (stainless steel panels available: Consult factory for pricing.)

Use With Box Size:	NEMA 1 CAT. NO.	NEMA 4, 4X or 12 CAT. NO.	APP. WGT.	LIST PRICE
12 x 16	MEAN1-12P16	MEAN12-12P16	4	17.00
12 x 20	NOT AVAIL	MEAN12-12P20	5	19.76
12 x 24	NOT AVAIL	MEAN12-12P24	7	25.56
16 x 16	MEAN1-16P16	MEAN12-16P16	6	20.95
16 x 20	MEAN1-16P20	MEAN12-16P20	7	24.90
16 x 24	MEAN1-16P24	MEAN12-16P24	9	29.74
20 x 20	MEAN1-20P20	MEAN12-20P20	9	30.09
20 x 24	MEAN1-20P24	MEAN12-20P24	12	38.95
24 x 24	MEAN1-24P24	MEAN12-24P24	15	47.63
16 x 30	NOT AVAIL	MEAN12-16P30	12	38.62
20 x 30	MEAN1-20P30	MEAN12-20P30	16	46.78
24 x 30	MEAN1-24P30	MEAN12-24P30	19	57.70
30 x 30	MEAN1-30P30	MEAN12-30P30	24	66.54
24 x 36	MEAN1-24P36	MEAN12-24P36	24	69.28
30 x 36	MEAN1-30P36	MEAN12-30P36	30	88.01
36 x 36	NOT AVAIL	MEAN12-36P36	37	101.39
24 x 42	MEAN1-24P42	MEAN12-24P42	28	76.13
30 x 42	MEAN1-30P42	MEAN12-30P42	35	98.49
36 x 42	MEAN1-36P42	MEAN12-36P42	43	116.34
42 x 42	NOT AVAIL	MEAN12-42P42	49	134.21
24 x 48	NOT AVAIL	MEAN12-24P48	32	85.20
30 x 48	NOT AVAIL	MEAN12-30P48	40	110.82
36 x 48	MEAN1-36P48	MEAN12-36P48	49	131.46
42 x 48	NOT AVAIL	MEAN12-42P48	56	152.06
48 x 48	NOT AVAIL	MEAN12-48P48	80	182.04
30 x 60	NOT AVAIL	MEAN12-30P60	51	135.55
36 x 60	NOT AVAIL	MEAN12-36P60	61	161.67
42 x 60	NOT AVAIL	MEAN12-42P60	70	196.87
30 x 72	NOT AVAIL	MEAN12-30P72	62	160.31

Mass Electrical Apparatus

Manufacturers of Quality Electrical Enclosures

LARGE TRAFFIC CONTROL ENCLOSURES



LARGE SINGLE DOOR ENCLOSURES

APPLICATION: NEMA 3R

Large single door enclosures are designed to house electronic controls, terminals and instruments, and to provide protection from rain, sleet, snow dripping water and corrosion.

APPLICATION: NEMA 12, 4, 4X

Large single door enclosures are designed to house electronic controls, terminals and instruments, and to provide protection from rain, sleet, snow dripping water and corrosion, hosedown, splashing water, oil or coolant seepage.

INDUSTRY STANDARD:

U.L. Type 3R, 12, 4 and 4X

STANDARD CONSTRUCTION: (Based on NEMA 3R Design)

A. Enclosure

1. Complete enclosure is made from .125 thick aluminum type 5052-H32 to provide a strong and rigid construction.
2. The enclosure shall be equipped with two adjustable "C" mounting channels on both side walls and back wall of the enclosure, allowing versatile positioning of shelves and panels.
3. The enclosure door frame shall be double flanged out on all four sides. These flanges increase strength of opening and keep dust and liquids from dropping into enclosure when door is opened.
4. Pole or wall mounted enclosures have stiffener plates welded to top and bottom of rear wall. Pole mounted enclosures have a plate bolted to bottom of enclosure.
5. Enclosure has provisions for mounting forced air fan system and has a screened air exhaust opening under roof overhang.
6. All exterior seams are either continuously welded or sealed with G.E. silicone sealant.
7. All external hardware is stainless steel. All internal hardware is either stainless steel or cadmium plated, Type II, Class 1, or equal.

B. Doors

1. Equipped with 3 point latching mechanism with nylon rollers at top and bottom.
2. Door handle is $\frac{3}{4}$ " diameter stainless steel and has provisions for padlocking.
3. Main door lock is Corbin #1548-1 or equal.
4. A louvered air vent with filter retainer brackets is provided.
5. Main door is sealed with closed cell neoprene gasket.
6. A switch compartment, with removable back panel is supplied. Switch compartment door lock is a Corbin R357SGS series is equal and has a keyhole cover.
7. Main door has a heavy gauge continuous hinge with $\frac{1}{4}$ " diameter stainless steel hinge pin. Hinge is secured with $\frac{1}{4}$ -20 stainless steel carriage bolts and stainless steel nylock nuts.
8. Switch compartment door hinge is 14 gauge stainless steel with a .120 diameter stainless steel hinge pin.

Finish:

Natural aluminum enclosures are mill finish, per Fed. Spec. QQA-250/8.

Painted enclosures are treated with three stage iron phosphate coating and forced air dried. Standard finish coat is a bake alkali enamel.

For NEMA Type 12, 4 and 4X Rating:

DELETE: All vents and Corbin main door lock #11548-1.

Corbin R357SGS from switch compartment.

ADD: All through holes are sealed.

Mass Electrical Apparatus

Manufacturers of Quality Electrical Enclosures

LARGE TRAFFIC CONTROL ENCLOSURES CONTINUED

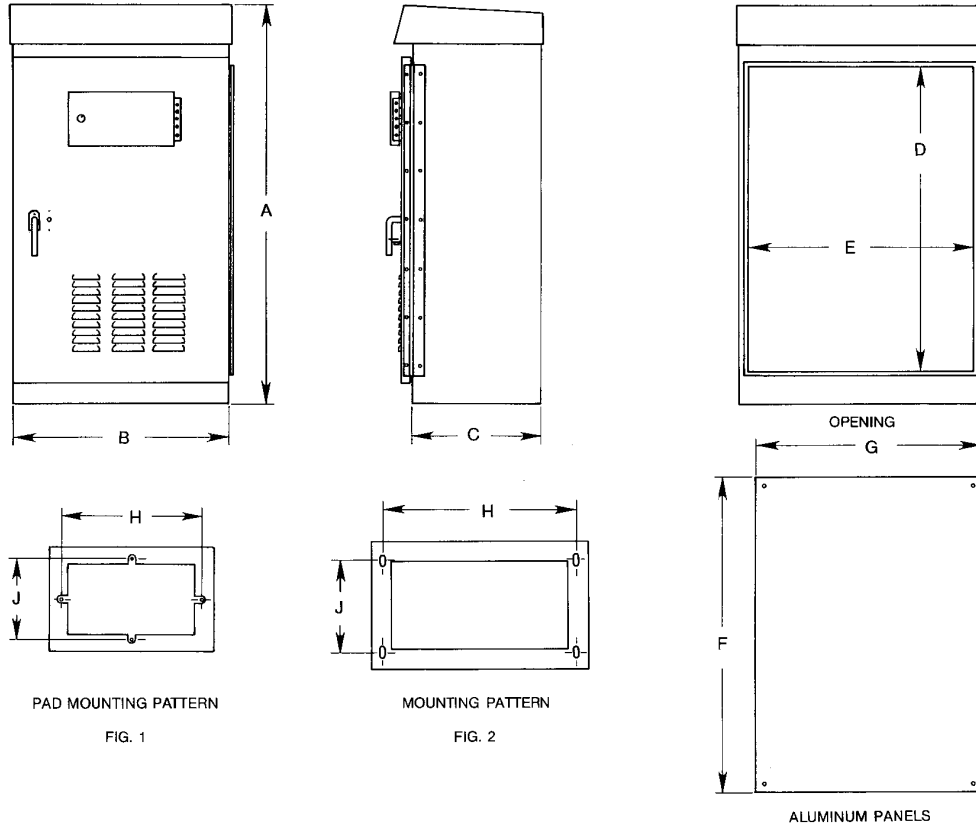


FIG. 1

FIG. 2

ALUMINUM PANELS

Options:

- Pedestal Adaptor (reinforced bottom)
- Locks: Keyed other than standard
- Windows
- Painted finishes
- 14 gauge cold rolled steel (available in MEA412516, MEA553826, MEA554426, MEA773826, and MEA774426)
- Shelves
- Panels

CATALOG NUMBER	T.I.D.	Suggested Mounting Options			Cabinet			Opening		Panel		Pad Mtg. Pattern	
		Ped.	Pole	Pad	A	B	C	D	E	F	G	H	I
MEA301815	2B	Yes	Yes	Yes	30	18	15	22	15 ½	22	15	N/A	12
MEA362015	3B	Yes	Yes	Yes	36	20	15	28	17 ½	28	17	N/A	12
MEA412516	G	Yes	Yes	Yes	41	25	16	33	22 ½	35	21	N/A	13
MEA542516	K	No	Yes	Yes	51	25	16	43	22 ½	45	21	N/A	13
MEA503017	M	No	Yes	Yes	49 ½	30	17	38	27 ½	42	27	26 ½	13 ½
MEA503617	M36	No	No	Yes	49 ½	36	17	38	33 ½	42	33	32 ½	13 ½
MEA583017	MSX	No	No	Yes	57 ½	30	17	46	27 ½	50	27	26 ½	13 ½
MEA763017	MXX	No	No	Yes	75 ½	30	17	64	27 ½	68	27	26 ½	13 ½
MEA553826	P-38	No	No	Yes	55 9/16	38	26	35 ½	35 ½	46	35	34 ½	18 ½
MEA554426	P-44	No	No	Yes	55 9/16	44	26	41 ½	41 ½	46	41	40 ½	18 ½
MEA773826	R-38	No	No	Yes	77	38	26	35 ½	35 ½	69	35	34 ½	18 ½
MEA774426	R-44	No	No	Yes	77	44	26	41 ½	41 ½	69	41	40 ½	18 ½

Mass Electrical Apparatus

Manufacturers of Quality Electrical Enclosures

NEMA RATINGS

NEMA TYPE 1:

Indoor use primarily to provide a degree of protection against contact with the enclosed equipment. These products should only be used in areas where unusual service conditions do not exist.

NEMA TYPE 3:

Intended for outdoor use to provide a degree of protection against rain, sleet, and wind blown dust. Undamaged by the formation of ice on the enclosure.

NEMA TYPE 3R:

Intended for outdoor use to provide a degree of protection from falling rain and sleet. Undamaged by the formation of ice on the enclosure.

NEMA TYPE 4:

Intended for either indoor or outdoor use to provide a degree of protection from falling rain, splashing water and hose directed water. Undamaged by the formation of ice on the enclosure.

NEMA TYPE 4X:

Intended for either indoor or outdoor use to provide a degree of protection from falling rain, splashing water and hose directed water. Undamaged by the formation of ice on the enclosure. Resists corrosion.

NEMA TYPE 12:

Intended for indoor use to provide a degree of protection from dust, dirt, and dripping non-corrosive liquids.

Mass Electrical Apparatus Service L.L.C.
42 Oakville Street, Lynn, MA 01905
Phone: (781) 592-0410 Fax: (781) 592-0986